

SUPPLEMENT

TO THE

NEW ZEALAND GAZETTE

OF

THURSDAY, FEBRUARY 18, 1904.

Published by Authority.

WELLINGTON, THURSDAY, FEBRUARY 18, 1904.

CONTENTS.

	Page
Patent Agent registered	587
Complete Specifications accepted	587
Provisional Specifications accepted	592
Letters Patent sealed	592
Letters Patent on which Fees have been paid	592
Subsequent Proprietors of Letters Patent registered	593
Request to amend Specification	593
Request to amend Application for Letters Patent allowed	593
Request to correct Clerical Error in Specification allowed	593
Applications for Letters Patent abandoned	593
Application for Letters Patent void	593
Applications for Letters Patent lapsed	593
Letters Patent void	593
Applications for Registration of Trade Marks	594
Trade Marks registered	597
Trade Mark Renewal Fees paid	597
Subsequent Proprietors of Trade Marks registered	597
Alteration of Address of Proprietor of Trade Mark on Register	597
Quarterly List of Inventors*	597
Quarterly List of Inventions*	606
Quarterly List of Designs Applicants*	616
Quarterly List of Trade Marks Applicants*	617
Illustrations of Inventions	At end

* Alphabetical lists for the preceding quarters of the year 1903 appear in *Gazette* No. 43, of the 28th May; No. 70, of the 3rd September; and No. 96, of the 17th December.

Patent Agent registered.

Patent Office,
Wellington, 17th February, 1904.

IT is hereby notified that
JOHN RUTHERFORD PARK,
of corner of Manse and High Streets, Dunedin, New Zealand,
has been registered as a Patent Agent.
F. WALDEGRAVE,
Registrar.

Notice of Acceptance of Complete Specifications.

Patent Office,
Wellington, 17th February, 1904.

COMPLETE specifications relating to the undermentioned applications for Letters Patent have been accepted, and are open to public inspection at this office.

A

Any person may, at any time within two months from the date of this *Gazette*, give me notice in writing of opposition to the grant of any such patent. Such notice must set forth the particular grounds of objection, and be in duplicate. A fee of 10s. is payable thereon.

No. 15947.—4th February, 1903.—THOMAS BETTS, Settler, and GEORGE PIRRIE, Manufacturer, both of Henderson, New Zealand. An apparatus for preventing horses from bolting when attached to vehicles.

Claim.—The application of the power from the hub to the roller and reins by means of a friction-wheel placed forward of the axle. Also the self-adjusting method of bringing the friction-wheel into action with the hub by means of a cord or chain taken from the lever through an idler pulley, then forward to standard, thereby counteracting the evil caused by the variation in the loads on the vehicle affecting the height of the springs.
(Specification, 1s. 6d.; drawing, 1s.)

No. 15983.—11th February, 1903.—CHARLES MORRIS NEWSON and MARTIN COULSON, both of Alexandra Street, Auckland, New Zealand, Builders and Contractors. A method and apparatus for applying boiling tar to paving-blocks of wood for street-paving and suchlike.

Description.—Tar-containing vessel with semicircular passage through it for blocks, furnace beneath for heating tar, inclined draining-table and catch-troughs at end of vessel and table respectively for excess of tar.

[NOTE.—The above brief description is inserted in place of the claims.]
(Specification, 1s. 9d.; drawing, 1s.)

No. 16074.—11th March, 1903.—EDMUND EATON, of 99, Cannon Street, London, England, Patent Agent. Improvements in the manufacture of building-bricks and the like, and apparatus therefor.

Claims.—(1.) The improved process and apparatus for the manufacture of bricks or blocks, in combination, substantially as described and illustrated. (2.) In a process for the manufacture of bricks and blocks from sand, lime, ashes, clinkers, and suchlike, the improved slaking or mixing cylinder or drum, and, in combination or use therewith, of a screening or sieving apparatus, so that the contents as they fall from the cylinder or drum are screened, substantially as set forth and illustrated. (3.) The combined steaming and annealing chamber arranged and constructed and used substantially as described and illustrated. (4.) The combined

arrangement and construction of the cage and truck for use, as and for the purpose set forth and illustrated. (5.) In drums or mixers, the arrangement of the bottom of same so as to incline the contents to the outlet manhole or manholes, substantially as described and illustrated. (6.) In the manufacture of sand bricks or blocks, the treatment of same after leaving the steaming-chamber in a dry state by spraying with a weak solution of steam or water and alkali, and redrying in an annealing-chamber. (7.) In steaming, drying, or annealing chambers, mounting the partitions or covers thereof on carriages supported on flanged wheels for facilitating the removal of the covers when desired, and for transferring the contents from the steaming to the annealing chamber when desired, substantially as described and illustrated. (8.) In steaming-chambers for sand, bricks, blocks, and the like, in combination therewith, of flue or flues for utilisation of the waste gases from boiler furnace or exhaust, substantially as and for the purpose described.

(Specification, 10s. 6d.; drawing, 2s.)

No. 16075.—11th March, 1903.—EDMUND EATON, of 99, Cannon Street, London, England, Patent Agent. Improvements in the manufacture of building-bricks and the like, and apparatus therefor.

Claims.—(1.) The improved process and apparatus for the manufacture of bricks or blocks, substantially as described and illustrated. (2.) In lime slaking or mixing apparatus, the combination and arrangement of one or more drums or cylinders or compartments, arranged, used, and operated substantially as described and illustrated. (3.) A lime slaking or mixing apparatus so arranged as that the steam, heat, or gas generated in the one chamber may be utilised in the other chamber or chambers, in a manner and for the purpose described and illustrated. (4.) In lime slaking or mixing apparatus, the use therewith of a sieving or screening apparatus detachably combined and arranged therewith, or suitably supported at the mouth of the manhole of the cylinder or drum, or combined with a shoot or hopper, so that as the contents of the drum pass out therefrom it falls upon and passes through a sifting or screening apparatus. (5.) In apparatus for the manufacture of sand bricks or blocks, the construction and arrangement of a steaming-chamber, such as it can be converted into and also used as a slaking or mixing cylinder or drum, in a manner described and illustrated. (6.) The new or improved steaming-chamber constructed, arranged, and operated substantially as described and illustrated, for use as and for the purposes set forth. (7.) The construction and arrangement of the cage or truck for conveying and containing the bricks or blocks to and from the steaming-chamber, by the use of which the steam has free and uninterrupted access to said bricks and blocks, in the course of drying, through the central perforated steam-pipe and plates of truck or cage, substantially as described and illustrated, and for the purpose set forth.

(Specification, 13s.; drawings, 5s.)

No. 16116.—21st March, 1903.—HERBERT ERNEST LEIGHTON, of 4, Featherston Street, Wellington, New Zealand, Importer, Manufacturers' and Commission Agent (nominee of Henry Sanders, Water Works, Papplewick, Nottingham, England, Engineer). Improvements in or relating to boiler and other furnaces.*

Claims.—(1.) In boiler and other furnaces a double fire-bridge at the back of the furnace arranged with a vertical space between, and the back portion of which is made higher than the front, in combination with means whereby air may be led beneath the furnace and passed upwards through the vertical space between the double bridge, substantially as specified. (2.) In boiler and other furnaces, a space extending beneath the grate, open at its front end and closed at a point beyond the back end of the furnace by two plates arranged with a vertical space between, and the outer one of which is formed with air-apertures therein, in combination with a double fire-bridge at the back of the furnace arranged with a vertical space between in a direct vertical line with the space enclosed by the plates below and in communication therewith, substantially as specified. (3.) In boiler and other furnaces, a double fire-bridge at the back of the furnace arranged with a vertical space between, a space extending beneath the grate, double plates arranged within such space with a vertical space between them in a direct vertical line with the space between the double bridge and in communication therewith, the outer one of such plates being formed with air-apertures therein, in combination with means whereby such apertures will be kept normally covered and will be opened upon the furnace-door being opened and then gradually covered again after the furnace-door has been closed, substantially as specified.

(4.) In boiler and other furnaces, a space extending beneath the furnace, double plates beyond the back end of the furnace arranged with a vertical space between in communication with the back of the furnace, air-openings in the outer plate, a cover fitting against the outer face of the outer plate and formed with openings therein corresponding to the openings in the outer plate and adapted to coincide with or to cover such openings, and means whereby such cover may be moved up and down upon the face of the outer plate when the furnace-door is opened and is closed, substantially as specified. (5.) In boiler and other furnaces, a space extending beneath the furnace, double plates beyond the back end of the furnace arranged with a vertical space between in communication with the back of the furnace, air-openings in the outer plate, a cover fitting against the outer face of the outer plate and formed with openings therein corresponding to the openings in the outer plate and adapted to coincide with or to cover such openings, a spindle extending along beneath the grate provided on its inner end with a lever connection to the cover-plate and connected at its outer end to a vertical rod the top end of which is connected to a transverse sliding-rod the end of which bears against the back face of the furnace-door, while the bottom end of the vertical rod is connected to the counterweighted arm of a rocking-beam, to the other arm of which a hollow float with a valve in its bottom is suspended above a water-tank, all as and for the several purposes set forth. (6.) The general arrangement, construction, and combination of parts in my improvements in or relating to boiler and other furnaces, as described and explained, as illustrated in the drawings, and for the several purposes set forth.

(Specification, 7s. 6d.; drawing, 1s.)

No. 16117.—21st March, 1903.—HERBERT ERNEST LEIGHTON, of 4, Featherston Street, Wellington, New Zealand, Importer, Manufacturers' and Commission Agent (nominee of Henry Sanders, of Water Works, Papplewick, Nottingham, England, Engineer). Improved means for consuming the smoke and economizing the heat given off by boiler and other furnaces.*

Claim.—In boiler and other furnaces, a baffle secured within the flue between the furnace and smokestack and covering the area enclosed thereby, such baffle being formed with a hinged portion capable of opening inwards or outwards, substantially as specified.

(Specification, 2s. 3d.; drawing, 1s.)

No. 16188.—4th April, 1903.—GEORGE STEVENSON, of Riversdale, Otago, New Zealand, Farmer. An improved adjustable earth-auger for making holes for fencing-posts and other like purposes.*

Claims.—(1.) An earth-auger comprising a cranked tubular operating-handle, a hollowed head rotatable thereon, a slotted stock on said handle having a threaded hole at its lower end, two semi-disc cutters provided with projecting stems slidable in said stock, and a threaded clamping-pin in said threaded hole carrying a leading screw, substantially as and for the purposes set forth. (2.) An earth-auger comprising a cranked tubular operating-handle, a hollowed head rotatable thereon, a slotted stock on said handle having a threaded hole at its lower end and an air-hole, two semi-disc cutters provided with projecting stems slidable in said stock, a threaded clamping-pin in said threaded hole carrying a leading screw, and a removable wire in said air-hole and extending to the crank in said operating-handle, substantially as and for the purposes set forth. (3.) In an earth-auger, a slotted stock with a threaded hole at its lower end, two semi-disc cutters provided with projecting stems slidable in said stock, cutting-points on the periphery of said cutters, and a threaded clamping-pin in said threaded hole carrying a leading screw, substantially as and for the purposes set forth.

(Specification, 3s.; drawings, 2s.)

No. 16236.—16th April, 1903.—JAMES HENRY POMEROY, of Invercargill, Southland, New Zealand, Fishmonger. Improvements relating to hat-fasteners.*

Claims.—(1.) The general construction, arrangement, and combination of parts composing my improvements relating to hat-fasteners, all substantially as and for the purposes set forth. (2.) A hat-fastener consisting of a concave-shaped comb with its end teeth curved inwardly and having holes in it through which a double elastic band is threaded, tapering-socket clips at the ends of said elastic band, and bifurcated pins attached to said clips adapted to be thrust through and clenched on the outside of a hat, substantially as described.

(Specification, 1s. 9d.; drawing, 1s.)

No. 16257.—22nd April, 1903.—FRED WILKINSON, of Britannia Street, Petone, Wellington, New Zealand, Warehouseman. Improved apparatus for pulling out or separating the fibres and strands of wool, cotton, and all textile fabrics, and also flax and the like.*

Claims.—(1.) In apparatus for the purpose described, comb bars provided with teeth for regulating the passage of material, and other comb bars provided with teeth for separating the fibres of the material, substantially as set forth. (2.) In apparatus for the purpose described, comb bars provided with teeth for regulating the passage of the material, other comb bars provided with teeth for separating the fibres of the material, and gratings into the spaces of which the ends of the teeth enter, substantially as set forth. (3.) In apparatus for the purpose described, comb bars provided with teeth for regulating the passage of material, other comb bars provided with teeth for separating the fibres of the material, gratings into the spaces of which the ends of the teeth enter, a serrated plate at the rear of the gratings, and a toothed roller the teeth of which pass through the serrations of the said plate, substantially as set forth. (4.) In apparatus for the purpose described, comb bars provided with teeth for regulating the passage of material, a serrated plate at the rear of the comb bars, a toothed roller the teeth of which pass into the serrations of the plate, and transverse bars having grooves to receive the teeth of the comb bars, substantially as set forth. (5.) In apparatus for the purpose described, comb bars provided with teeth for regulating the passage of material, other comb bars provided with teeth for separating the fibres of the material, frames to which the comb bars are pivoted, an eccentric cam mounted on the driving-shaft of the machine for operating the said frames, and a wiper bar and lever for operating the fibre-separating comb bars, substantially as set forth. (6.) In apparatus for the purpose described, comb bars provided with teeth for regulating the passage of material, other comb bars provided with teeth for separating the fibres of the material, frames to which the comb bars are pivoted, and spring-operated catches for detaining the fibre-separating bars until their teeth are lowered below the gratings, substantially as set forth. (7.) In apparatus for the purpose described, comb bars at the front of the machine mounted loosely upon the lifting frame and spring-operated detents for the purpose of taking up a fresh strip of material at each revolution of the driving-shaft, substantially as set forth. (8.) Apparatus for the purpose described, comprising, in combination, an endless travelling band and feed-rollers by which material is fed intermittently to the machine, means for operating the said band and rollers, gratings between which the material passes, lips upon the gratings, combs for holding the material, other combs for separating the fibres of the material, means for operating the combs, a toothed roller at the rear of the machine, and a serrated plate with which the toothed roller operates, substantially as set forth. (9.) In apparatus for the purpose described, a comb comprising a T-shaped bar, teeth bent into the shape of a staple, a clamping-bar bolted to the said bar, and distance piece passing through the teeth, substantially as set forth. (10.) In apparatus for the purpose described, pivoted spring-operated catches for detaining the comb bars until the teeth of the comb are removed from the gratings, substantially as set forth.

(Specification, 10s.; drawings, 6s.)

No. 16278.—28th April, 1903.—EDWARD VERDON DIXON, of Opotiki, Auckland, New Zealand, Mechanical Engineer. An improved screw propeller.*

[NOTE.—The title in this case has been altered. See list of provisional specifications, *Gazette* No. 37, of the 14th May, 1903.]

Claims.—(1.) A ship's propeller formed with a blade helically arranged upon a boss, and of spirally increasing radius from the outer end to the base, and ending in a radial edge extending inwards to the boss, such blade being formed with a widened portion at a point in its helical length of equal width to the width of the blade at its base end and with a radial edge extending inwards from such widened portion diametrically in a line with the radial edge at the base end of the blade, substantially as specified. (2.) A ship's propeller formed with a pair of blades each helically arranged upon a boss, and of spirally increasing radius from the outer end to the base, and each ending in a radial edge extending inwards to the boss in the same diametrical line, each of such blades being formed with a widened portion in its helical length of equal width to the width of the blade at its base end and with a radial edge extending inwards from such widened portion in the same diametrical line but at right angles to the radial edges on the base ends of the blades, substantially as specified.

(Specification, 3s. 6d.; drawings, 1s.)

No. 16288.—30th April, 1903.—ALFRED MOUSELL SPRINGER WATTS, of College Street, Palmerston North, New Zealand, Inventor. Improved means for attaching draw-off taps to drums and the like.*

Claims.—(1.) In means for attaching draw-off taps to drums and the like, a tap formed with a flange and with a pointed barrel adapted to pierce the side of the drum, and a flange upon the barrel, near the top flange, adapted to be screwed into the drum so as to grip the edges of the pierced hole between the adjacent faces of the two flanges, as specified. (2.) In means for attaching draw-off taps to drums and the like, a tap-barrel formed with pointed ends and with a radial longitudinally tapering knife upon its outer periphery, and a circular flange-plate upon the barrel, broken away for a short distance in its circumference, to one edge of which the radial knife is attached by means of a curved portion, as specified. (3.) A tap formed with a flange upon its end, in combination with a barrel one end of which is adapted to be secured to the flanged end of the tap, and the other end of which is formed with pointed ends, a flange-plate secured upon the barrel near the flanged end of the tap and extending nearly round the circumference thereof, a sharpened edge upon one end of the flange-plate, and a radial longitudinally tapering knife upon the outer periphery of the barrel attached to the other end of the flange-plate by means of a curved portion, all as and for the several purposes set forth. (4.) The general arrangement, construction, and combination of parts in my improved means for attaching draw-off taps to drums and the like, as described and explained, as illustrated in the drawings, and for the several purposes set forth.

(Specification, 5s. 6d.; drawing, 1s.)

No. 16290.—29th April, 1903.—JOHN O'NEIL, of Christchurch, New Zealand, Hotelkeeper. An improved windmill-lubricator.*

[NOTE.—The title in this case has been altered. See list of provisional specifications, *Gazette* No. 43, of the 28th May, 1903.]

Claims.—(1.) In apparatus for the purpose indicated, an oil-reservoir, a cock in the bottom of the reservoir, a receptacle below the cock, an air-tube upon the receptacle, a cock in the bottom of said receptacle, a second receptacle, and tubes depending from the bottom of the second receptacle to conduct oil to different parts of the machinery, substantially as set forth. (2.) In apparatus for the purpose indicated, an oil-reservoir, a receptacle, an air-tube upon the receptacle, a second receptacle, cocks connecting together and bringing the said reservoir and receptacles into communication with each other, a cap upon the said receptacle, partitions in the said receptacle, tubes depending from the cap to conduct oil into the chambers formed in the receptacle by the partitions, and tubes depending from the bottom of the second receptacle, substantially as set forth. (3.) In apparatus for the purpose indicated, an oil-reservoir, a receptacle, an air-tube upon the receptacle, a second receptacle, cocks connecting together and bringing the said reservoir and receptacles into communication with each other, tubes depending from the bottom of the second receptacle to conduct oil to different parts of the machinery, and means for operating the said cocks, substantially as set forth. (4.) In apparatus for the purpose indicated, an oil-reservoir, a receptacle, an air-tube upon the receptacle, a second receptacle, cocks connecting together and bringing the said reservoir and receptacles into communication with each other, tubes depending from the bottom of the second receptacle to conduct oil to different parts of the machinery, levers upon the plugs of the cocks, a rod connecting the ends of the levers, a spring in tension attached at one end to the said rod and having its other end secured to any convenient part of the windmill, and a pull-cord attached to the levers, substantially as set forth. (5.) The combination and arrangement of parts comprising the improved apparatus for the purpose indicated, substantially as and for the purposes set forth, and illustrated on the drawing.

(Specification, 3s. 3d.; drawing, 1s.)

No. 16297.—1st May, 1903.—WILLIAM LOWE, of Gorge Road, Invercargill, New Zealand, Farmer. Improvements in seed-sowers.*

Claims.—(1.) The general construction, arrangement, and combination of parts composing my improvements in seed-sowers, all substantially as and for the purposes set forth. (2.) Improvements in seed-sowers consisting of, in combination, an upper canister adapted to hold seed, a lower canister attached to the upper canister, a tube leading from the upper canister to the lower canister, a flanged disc in the lower

canister mounted on a spindle revolved by gearing from the driving-shaft, holes countersunk angularly in the inner faces of the flanges of said disc, grooves in the outer faces of said flanges behind and deeper at said holes, an adjustable ejector adapted to travel in a groove and push out seed stuck in the holes, a hopper adapted to catch seed falling from the holes when the disc is being revolved, and means for leading seed from said hopper to the ground, substantially as described. (3.) In a seed-sower of the class described, making the holes in the disc-flanges in the inner surfaces thereof and at an acute angle with the internal face of the flanges, substantially as described. (4.) In a seed-sower of the class described, holes countersunk in the disc-flanges in the inner surfaces thereof and at an acute angle with the internal face of the flanges and a groove in the outer surfaces of the disc-flanges behind and deeper at said holes, and an ejector adapted to travel in a groove and push out seed stuck in the holes, substantially as described.

(Specification, 4s. 3d. ; drawing, 1s.)

No. 16464.—10th June, 1903.—FREDERICK WILLIAM BURSILL, of Sedgemere, Awatere, Marlborough, New Zealand, Sheep-farmer. Improvements in fencing-standards.*

Claim.—For the purpose indicated, a metal standard having a hole punched near one edge, and a tongue formed by cutting through the metal above and into said hole in such a manner as to leave a downwardly projecting part to retain the wire in position, the tongue being bent laterally to provide a passage for the fencing-wire to the hole at the back of the tongue, substantially as specified and illustrated. (Specification, 1s. 6d. ; drawings, 1s.)

No. 17069.—6th October, 1903.—WILLIAM ERNEST HUGHES, of Queen's Chambers, Wellington, New Zealand, Patent Agent (nominee of the British-American Tobacco Company, Limited, incorporated in England under the Companies Acts, Business, Cecil Chambers, 86, Strand, London, W.C., England, the assignees of Peter Andrew Lawles, of 175, East Seventy-first Street, New York City, Machinist ; Daniel Jay Campbell, of 5, West Eighty-second Street, New York aforesaid, Manufacturer ; and Oscar William Anderson Allison, of Rochester, Monioi, New York, Mechanical Engineer, all of United States of America). Improvements in cigarette-machines.

Extract from Specification.—This invention relates to cigarette-machines of that class by which a continuous wrapper-strip is wrapped about a continuous filler-rod of tobacco and the edges joined together to form a continuous cigarette-rod which is afterwards cut into cigarette-lengths. More particularly, the invention relates to improvements in the devices for forming the filler-rod and wrapping and sealing the wrapper-strip about the same, mechanism for applying paste to the edge of the wrapper-slip, and cutting and compressing mechanism for severing cigarette-lengths from the continuous cigarette-rod and compressing the severed cigarettes to the shape desired. The invention has been made with the idea of providing a machine specially adapted for making flat or elliptical cigarettes, but features of the invention are applicable to machines for making cigarettes of other form.

[NOTE.—The above extract from the specification is inserted in place of the claims.]

(Specification, £1 2s. ; drawing, 9s.)

No. 17158.—29th October, 1903.—GEORGE SMITH DUNCAN, of 1, Temple Court, Chancery Lane, Melbourne, Victoria, Civil Engineer. Improved slime-filtering apparatus.*

Extract from Specification.—The object is achieved by means of a large number of hollow, flat, vertical filters, worked under vacuum, which are suspended within the vat containing the material to be treated, each of said filters consisting of a skeleton framing covered with filter-cloth, and arranged comparatively close and parallel to each other, with scrapers between. The filters are connected on top to a pipe in communication with a vacuum tank which receives the solutions as they are filtered, and the scrapers are reciprocated between said filters at intervals to remove the muddy coating and carry it below the bottom of filters and to prevent clogging.

[NOTE.—The above extract from the specification is inserted in place of the claims.]

(Specification, 7s. ; drawings, 3s.)

No. 17466.—14th January, 1904.—CHARLES EDWARD STUART SCOTT, of New Plymouth, New Zealand, Printer. A geographical game.

Claims.—(1.) A geographical game comprising a map or chart marked with alternative routes from one place to another, each route being marked with divisions indicating distance, and markers in the form of ships, railway-trains, or the like for employment upon said routes, substantially as and for the purpose specified and illustrated. (2.) Apparatus for playing a geographical game, constructed and arranged as specified.

(Specification, 3s. ; drawing, 1s.)

No. 17482.—20th January, 1904.—SIGMUND SELBY, of 89, Southwark Street, London, England, Engineer. Improvements in and relating to apparatus for drying bricks, earthenware tiles, wood, and like materials.

Extract from Specification.—An important feature of my invention consists in arranging, beneath the floor-level of the longitudinally extended drying-chamber, a heating-chamber which extends beneath either the whole or a part of the length of the said drying-chamber and is in communication therewith, air from the exterior being supplied in any suitable manner to this heating-chamber, which is provided with steam or other heating-coils whereby the air therein is heated and rises into the drying-chamber, where it comes into contact with the material to be dried, and is removed from one end of the said drying-chamber by means of a chimney-shaft or in any other suitable manner. Another important feature of my said invention consists in the provision of one or more conduits arranged above the said drying-chamber, this conduit or conduits being in communication through suitable openings both with the interior of the drying-chamber and with the external air, so as to supply air to the body of the said drying-chamber and enable the material to be heated gradually, at the same time obtaining a higher temperature at the delivery end of the drying-chamber. Or, in some cases, a conduit of this kind can be arranged so as to serve as a communication between the upper part of the drying-chamber and the chimney-shaft or other exhaust, for the purpose of directly removing from the drying-chamber the vapours which proceed from the material to be dried. My said invention also comprises improved steam-heating apparatus for supplying heat to the said heating chamber; an improved form of truck with roller bearings for receiving the material to be dried; and a tempering-chamber for preliminarily treating bricks, tiles, and the like before they are brought into the drying-chamber.

[NOTE.—The above extract from the specification is inserted in place of the claims.]

(Specification, 14s. ; drawings, 3s.)

No. 17483.—20th January, 1904.—EDMUND EATON, of 99, Cannon Street, London, E.C., England, Consulting Engineer. Improved apparatus for use in the manufacture of bricks, blocks, and the like.

Claims.—(1.) The new or improved apparatus substantially as described and for the purpose set forth. (2.) In apparatus for the manufacture of bricks and blocks from sand, lime, and suchlike materials, a revolving apparatus comprising a convenient number of compartments formed integrally with or detachably connected to a revolving base, said compartments having inclined bottoms towards doors for discharging the contents thereof, used and operated in the manner substantially as described. (3.) In combination with an apparatus as described, the system of treating the material substantially as and for the purpose set forth.

(Specification, 6s. ; drawings, 2s.)

No. 17486.—21st January, 1904.—THE MORGAN CRUCIBLE COMPANY, LIMITED, of Battersea Works, London, England, Manufacturers (assignees of Charles William Speirs, of Battersea Works aforesaid, Engineer). Improvements in crucible furnaces.

Claims.—(1.) A tilting furnace, the casing of which has two metallic shells of different shapes so as to form between them a series of passages through which air can be supplied to the furnace through apertures in the lining thereof, substantially as described. (2.) In a tilting furnace, a furnace-casing having air-passages in the walls thereof communicating with the interior of the furnace through holes in the lining, a closed base upon which the furnace proper is mounted, and a cover carried by a flue-pipe adapted to be moved laterally from above the furnace, the said flue-pipe being surrounded by a jacket through which air for supporting the combustion in the furnace is forced into the base plate, whence it passes to the furnace partly through the grate thereof and partly through the passages in the casing, substantially as described. (3.) The combination with the tilting furnace provided with passages

formed in the metal casing thereof and communicating with the interior of the furnace through suitable holes, of a cover adapted to fit upon the top of the said furnace, a flue-pipe carrying the said cover, and a chamber in the said cover through which the products of combustion pass and into which the metal scrap to be melted is inserted, substantially as described. (4.) In a tilting furnace, passages formed in the metallic casing of the furnace proper, a cover to the said furnace communicating with a flue-pipe and a jacket around the said flue-pipe through which air for supporting the combustion in the furnace is passed in order that it shall be heated, the said air when it passes through the passages in the metallic casing also serving to maintain the same relatively cool, substantially as described. (5.) In a tilting crucible furnace having a series of passages in the metallic casing of the furnace proper, a stand or pedestal at the lower part of the furnace and a series of arms for supporting the crucible at the upper part, one of which arms is formed as a spout piece, substantially as described. (6.) In a tilting furnace, the combination of a furnace proper having a metallic casing with passages formed therein, a cover adapted to be placed over the furnace for the discharge of the gases of combustion, and a crane or derrick the axis of movement of which is in alignment with the axis of rotation of the cover, for facilitating the movement of the said cover, substantially as described. (7.) In a tilting furnace, the combination of a metallic furnace-casing having passages in the walls thereof communicating with taper passages in the furnace-lining, a closed base upon which the furnace stands, and holes or apertures for admitting air from the base into the lower ends of the passages in the casing, substantially as described. (8.) In a tilting furnace, the combination of a metallic furnace-casing having passages therein communicating with holes in the furnace-lining, a circumferential passage around the upper part of the said casing communicating with the several passages therein, and hollow standards communicating with the closed base and serving as a pivotal support upon which the furnace can be tilted, the said standards admitting air from the closed base into the circumferential passage and thence into the casing-passages and the furnace, substantially as described. (9.) A portable tilting furnace, the furnace-body of which is designed to be lifted and tilted by means of suspending ropes operated by independent winding mechanism, and wherein segmental guide-bars are provided for maintaining the ropes at a uniform distance apart during the tilting operation, substantially as described.

(Specification, 10s. 6d.; drawings, 5s.)

No. 17490.—20th January, 1904.—JAMES MITCHELL BAWDEN, of Seymour Street, Auctioneer, and EDWARD HENRY CATTERALL, of Breed Street, Agent, both of Traralgon, Buln Buln, Victoria. An improved double-legged coupling-pin for road-vehicle shafts.

Claims.—(1.) An improved double-legged coupling-pin for road-vehicle shafts, consisting of an upper leg and a lower leg united by a bend, said legs being of the same length and each having therein an inclined split-pin hole and a pivot-pin hole, in combination with a pivot-pin in the upper leg, a sheet-metal holdfast, wings above said holdfast pivoted to aforesaid pin, an enlargement on said holdfast, a hole therein to accommodate the lower leg, a split-pin through the inclined hole in the said lower leg, all as and for the purposes described, and as illustrated in the drawings. (2.) An improved double-legged coupling-pin for road-vehicle shafts, consisting of an upper leg and a lower leg united by a bend, said upper leg being shorter than the lower and having a pivot-pin hole therein, a pivot-pin in the said hole having overhanging ends, wings above a sheet-metal holdfast pivoted to said pin, an enlargement on said holdfast, a hole in said enlargement to accommodate the lower member, an inclined split-pin hole in said lower leg, a split-pin in said leg, all as and for the purposes described, and as illustrated in the drawings.

(Specification, 3s. 3d.; drawing, 1s.)

No. 17497.—23rd January, 1904.—JOHN THOMAS BLACKETT, of Ivy House, Guisborough, York, England, Engineer. An improved boring-machine for use in coal or ironstone mines or the like places.

Claims.—(1.) In rock-drilling machines, gearing—for operating the screw-bar or drill-spindle—comprising a clutch spur pinion on a shaft parallel to the drill-spindle, a screw-thread of quick pitch on said drill-spindle, and a feed-nut engaging said screw-thread, so constructed and arranged that when the clutch is thrown out of operative connection the rotation of the screw-bar or drill-spindle is stopped, while the feed-nut continues to be revolved so as to rapidly withdraw or move backward said drill-spindle, substantially as set forth. (2.) In a rock-drilling machine having a screw-bar or drill-spindle provided with a screw-thread of quick pitch and a feed-nut engaging said thread, differential gearing consist-

ing of a spur wheel slidably mounted on the drill-spindle, a spur wheel fixed on the feed-nut, a pinion fixed on a shaft parallel to the drill-spindle and with its teeth engaging the teeth of the spur wheel on the feed-nut, a clutch pinion on said shaft, means for disengaging said clutch pinion from and re-engaging it with the teeth of the spur wheel on the drill-spindle, and a gear on said shaft in engagement with the driving-shaft of a motor, all arranged in combination and operating, substantially as set forth with reference to the drawing, and for the purposes specified. (3.) The complete rock-drilling machine substantially as described, and illustrated in the drawing.

(Specification, 3s. 6d.; drawing, 1s.)

No. 17499.—29th January, 1904.—CARLO TURCHI, of 89, Via Giovecca, Ferrara, Kingdom of Italy, Engineer. Improvements in apparatus for enabling telephonic and telegraphic messages to be transmitted over the same line wire.

Claims.—(1.) In apparatus for enabling telephonic and telegraphic messages to be sent over a single-line wire between two or more stations, a separator comprising a closed circuit arranged in inductive relation to or connected with the line wire, and including one or more capacities, one or more self-induction devices, and a differential coil having an iron core arranged in inductive relation to a telephonic receiver, the construction and arrangement being such that telephonic currents can be transmitted from the line wire to the telephonic receiver, whilst induced currents of substantially different frequencies will be prevented from affecting the telephone receiver, as set forth. (2.) In apparatus for enabling telephonic and telegraphic messages to be sent over a single-line wire, a separator according to the preceding claim constructed with two branches that are wound in opposite directions around an inner core to form the differential coil, and one or other or each of which is provided with at least one capacity or one inductive resistance device, as set forth. (3.) Apparatus according to the preceding claims for enabling telephonic and telegraphic messages to be sent over a single-line wire wherein the circuit of the separator is connected to the secondary winding of a transformer the primary winding of which is in series with the line wire, as set forth. (4.) Apparatus according to claims 1 and 2, wherein the separator is connected at one end either directly or through the secondary winding of a transformer to the line wire and at the other end to earth, as set forth. (5.) In apparatus according to claim 1, a relay whereby telephonic messages can be sent to line independently of the separator, the said relay comprising a telephonic receiver located at the station and in the telephonic circuit of a subscriber, and a microphone transmitter upon which the telephonic receiver is arranged to act, and which is connected to a secondary winding of the line transformer so as to act directly on the line wire, as set forth. (6.) Apparatus according to claims 1, 2, and 3 for telephoning and telegraphing over a single-line wire, wherein, in order to provide a path round the separator at the central station for enabling telephonic messages to be transmitted by a subscriber direct to the line wire independently of the said separator, the telephone subscriber's line is connected to the telegraph-line through the intermediary of a series-connected line transformer, and the subscriber is provided at his own station with a separator of the kind set forth for transmitting telephonic messages from the line to his telephonic receiver, substantially as described, for the purposes set forth. (7.) Apparatus according to the preceding claims for enabling telephonic and telegraphic messages to be sent over a single wire, wherein the line condensers, instead of being earthed, are connected with one another by means of an existing telegraph-wire, which is not otherwise used for telephonic purposes, so that the said condensers are thus provided with a metallic return, as set forth. (8.) For enabling telephonic and telegraphic messages to be sent simultaneously over a single-line wire, apparatus constructed, arranged, and operating substantially as described with reference respectively to and shown in Fig. 1 and in Fig. 2, or modified according to Fig. 3, or to Fig. 4, or to Fig. 5, or to Fig. 6, or to Fig. 7 of the drawings.

(Specification, 10s. 6d.; drawing, 1s.)

An asterisk (*) denotes the complete specification of an invention for which a provisional specification has been already lodged.

NOTE.—The cost of copying the specification and drawings has been inserted after the notice of each application. An order for a copy or copies should be accompanied by a post-office order or postal note for the cost of copying.

The date of acceptance of each application is given after the number.

Extracts from the drawings accompanying the foregoing complete specifications appear at the end of this *Gazette*.

F. WALDEGRAVE,
Registrar.

Provisional Specifications.

Patent Office,
Wellington, 17th February, 1904.

APPLICATIONS for Letters Patent, with provisional specifications, have been accepted as under:—

No. 17464.—18th January, 1904.—DE BEAUVOIR DE LISLE, of Waimata Valley, Poverty Bay, New Zealand, Sheep-farmer, and EDWIN VALENTINE LUTTRELL, of Gisborne, Poverty Bay aforesaid, Veterinary Surgeon. An improved branding-composition.

No. 17473.—11th January, 1904.—WILLIAM WILKINSON, of Mill Street, off Liverpool Street, Auckland, New Zealand, Storeman. A game.

No. 17478.—15th January, 1904.—CHARLES H. WADDLE, of 21, Lees Street, Dunedin, New Zealand, Carriage-painter, and SAMUEL WHITE, of Princes Street South, Dunedin aforesaid, Coachbuilder. An improved table amusement.

No. 17491.—20th January, 1904.—JOHN JOHNSTON, of Dunedin, New Zealand, Picture-framer. Frame for setting off distances along a plank and enabling a saw to be used therein to cut said plank at a desired angle and depth.

No. 17494.—22nd January, 1904.—DAVID WORELAND, of Karoit Street, Warrnambool, Victoria, Australia, Plumber. Improved union joint for taps and hoses.

No. 17500.—29th January, 1904.—DAVID GREY SUTHERLAND, of 18, Clothier Street, Linwood, near Christchurch, New Zealand, Plasterer. Improvements in tobacco-pipes.

No. 17501.—29th January, 1904.—GEORGE CHEWINGS, of Glenelg, Mossburn, Southland, New Zealand, Sheep-farmer. An improved fencing-staple.

No. 17502.—29th January, 1904.—WILLIAM WHITE, of Tarras, near Cromwell, Otago, New Zealand, Labourer. Improvement in standards and straining-posts for wire fencing.

No. 17503.—30th January, 1904.—JOHN WATSON SCULLY and JAMES ANTHONY, of 62, Willis Street, Wellington, New Zealand, Café Proprietors. A new or improved plate or tray for holding oysters and other shell-fish.

No. 17504.—28th January, 1904.—CHARLES THOMAS HODGES, of Dunedin, New Zealand, Master Plumber. Improved gutter.

No. 17505.—28th January, 1904.—JAMES FLETCHER, of Wyncham, New Zealand, Printer. Improved automatic fire-alarm.

No. 17512.—4th February, 1904.—WILLIAM HOYLAND, of Wellington, New Zealand, Cabinetmaker. Improvements in or relating to couches and the like.

No. 17513.—4th February, 1904.—WILLIAM THOMAS NUTTALL, of Wellington, New Zealand, Engineer. Improvements in suspenders for trousers and other garments.

No. 17514.—4th February, 1904.—ROBERT JAMES MOORE, of Ruahine, Rangitikei, New Zealand, Farm-hand. An improved milk-aerator.

No. 17515.—4th February, 1904.—WILLIAM ALEXANDER JUSTICE DUTCH, Brassfounder, and JAMES FORSYTH, Copper-smith, both of Wellington, New Zealand. Improved means for heating or pasteurizing milk and other liquids.

No. 17517.—2nd February, 1904.—WILLIAM HARVEY, of Devonport, Auckland, New Zealand, Wholesale Tinsmith. A bucket-handle projection support.

No. 17519.—6th February, 1904.—GEORGE DENNIS, Jun., of Waikaiti, Otago, New Zealand, Farmer. Improved apparatus for raking material from sluice-boxes used for saving gold and the like.

No. 17520.—3rd February, 1904.—WILLIAM BRIERLY, of Seafield View Road, Auckland, New Zealand, and GEORGE FRASER, of Phoenix Foundry, Auckland aforesaid. An improved road-sweeper and dust-collector.

No. 17522.—5th February, 1904.—ALEXANDER WILLIAM BICKERTON, of Wainoni Park, near Christchurch, New Zealand, Professor of Chemistry. A paper health-shelter for the open-air treatment of disease, and generally for sleeping in the open air protected from damp and draughts.

No. 17524.—8th February, 1904.—JOHN MITCHELL, of Arthur Street, Ponsonby, Auckland, New Zealand, Architect, and GEORGE GEORGE, of Mount Roskill, Auckland aforesaid, Director Technical Education. An improved sealable receptacle for nightsoil and the like.

No. 17525.—8th February, 1904.—GEORGE CRAW, of Palmerston North, New Zealand, Flaxmiller. An improved machine for stripping and washing flax.

No. 17531.—10th February, 1904.—ALEXANDER PARKER, of Dannevirke, New Zealand, Engineer. An improved combined lock and draught-excluder for windows.

No. 17533.—9th February, 1904.—MATTHEW COONEY, of Gebbie's Valley, New Zealand, Farmer. Improvements in or relating to reaping-fingers.

No. 17534.—8th February, 1904.—JOHN SNOWDEN, of Maropiu, Northern Wairoa, Auckland, New Zealand, Bush Contractor. A bullock-bow key.

No. 17535.—11th February, 1904.—CHRISTOPHE SOULAS, of Okato, by Opunake, Taranaki, New Zealand, Priest. An improved projectile.

No. 17537.—11th February, 1904.—WILLIAM LORD, of 17, Hythe Road, Thornton Heath, Croydon, Surrey, Eng-

land, temporarily residing at the London Hotel, Port Melbourne, Victoria, Gas Engineer. Improved apparatus for generating gas for illuminating and heating purposes.

No. 17540.—9th February, 1904.—WILLIAM MCCORKINDALE, of Gore, New Zealand, Gold-miner. A sluice-box clay-cutter.

ERRATUM.—No. 17442.—W. P. DALY, adjusting bolsters. The date of this application has been wrongly inserted in the *Gazette* of the 21st January as "7th January, 1904." It should read "7th December, 1903."

NOTE.—Provisional specifications cannot be inspected, or their contents made known by this office in any way, until the complete specifications in connection therewith have been accepted. The date of acceptance of each application is given after the number.

F. WALDEGRAVE,
Registrar.

Letters Patent sealed.

LIST of Letters Patent sealed from the 4th February to the 17th February, 1904, inclusive:—

No. 15022.—M. Saunders, harvesting-appliance.

No. 15475.—T. S. Philpott, non-refillable bottle.

No. 15532.—A. E. Cleaver, fire-escape.

No. 15552.—W. F. Slack, ventilator.

No. 15642.—H. Coe, plough attachment.

No. 15684.—W. A. Gamman, reversing rotation of shafting.

No. 15827.—United Shoe Machinery Company, heel-compressing machine (S. D. Leland).

No. 15828.—United Shoe Machinery Company, heel-compressing machine (C. L. Allen).

No. 15992.—S. E. Denniston, dipping sheep.

No. 16656.—A. E. Warne, ore-concentrator.

No. 16666.—R. L. and D. Adams, wall-plaster and boiler-covering (M. E. Loose—W. Coale).

No. 16793.—J. C. Henderson, W. J. Anderson, and E. S. Burman, cheese-presser plate.

No. 16948.—J. Channon, seal lock (W. T. Percival).

No. 16991.—R. W. Curry, liquid salt.

No. 16992.—T. G. Stevens, vehicle-spring.

No. 17039.—W. H. Wyers, preserving yeast.

No. 17040.—The New Inverted Incandescent Gas-lamp Company, Limited, gas-burner (A. Farkas).

No. 17068.—E. Hinton and F. A. Andrews, gas-tap.

No. 17070.—O. Oldham, jig pulley.

No. 17075.—W. G. Barger and H. C. Dix, disc cultivator.

No. 17100.—J. J. Matthews, acetylene-generator.

No. 17103.—E. J. Wilson, reversible plough.

No. 17123.—J. R. Hardy, kiln.

No. 17125.—Gysinge Aktiebolag, electric furnace (F. A. Kjellin).

No. 17128.—C. J. Tully, wheel-lock and rein-holder.

No. 17129.—C. J. Tully, wheel-lock and rein-holder.

No. 17130.—C. F. Lungley, treating ironsand.

No. 17132.—N. Bendixen, sterilising milk.

No. 17156.—E. G. Abell, holder for window-sash.

No. 17189.—M. R. Green, non-refillable bottle.

No. 17191.—W. J. and H. G. Cummings, R. Chamberlain, and J. W. Abernethy, passing line under submerged vessel.

No. 17192.—J. S. Bonneau, frame for stereotype matrices.

F. WALDEGRAVE,
Registrar.

Letters Patent on which Fees have been paid.

[NOTE.—The dates are those of the payments.]

SECOND-TERM FEES.

NO. 12363.—T. Hood and F. Treweek, preventing rust on iron and steel. 2nd February, 1904.

No. 12389.—Darling's Patent Automatic Coupling, Limited, railway coupling (J. Darling and J. Darling, jun.). 14th February, 1904.

No. 12437.—W. Healey, slop-bucket. 15th February, 1904.

No. 12444.—The British Westinghouse Electric and Manufacturing Company, Limited, operating two-phase electric motor (B. G. Lamme). 11th February, 1904.

THIRD-TERM FEES.

No. 9336.—The American Steel and Wire Company of New Jersey, woven-wire fence (A. J. Bates). 11th February, 1904.

No. 9351.—The Greenwich Inlaid Linoleum (Frederick Walton's New Patents) Company, Limited, mosaic floorcloth (F. Walton). 13th February, 1904.

No. 9394.—A. H. Brownley, door-check. 6th February, 1904.

No. 9421.—T. Huntington and F. Heberlein, treatment of sulphide ores. 9th February, 1904.

No. 10256.—M. Forsman, lotion. 5th February, 1904,

F. WALDEGRAVE,
Registrar.

Subsequent Proprietors of Letters Patent registered.

[NOTE.—The name of the patentee is given in brackets. The date is that of registration.]

No. 13261.—Warp Twisting-in Machine Company, a body corporate of the State of New Jersey, with offices at 243, Washington Street, in Jersey City, in the County of Hudson and State of New Jersey, United States of America, Manufacturers. Warp twisting-in machine. [A. Goss.] 11th February, 1904.

No. 13782.—Warp Twisting-in Machine Company, a body corporate of the State of New Jersey, with offices at 243, Washington Street, in Jersey City, in the County of Hudson and State of New Jersey, United States of America, Manufacturers. Twisting-in machine. [W. E. Krey and A. Duppler.] 11th February, 1904.

No. 13655.—The British Westinghouse Electric and Manufacturing Company, Limited, of Westinghouse Building, Norfolk Street, Strand, in the City of Westminster, England, Manufacturers. Insulator. [J. T. Hunter—W. Chapman.] 10th February, 1904.

No. 15579.—The British Westinghouse Electric and Manufacturing Company, Limited, of Westinghouse Building, Norfolk Street, Strand, in the City of Westminster, England, Manufacturers. Electric brake. [J. T. Hunter—G. A. Trube and W. Chapman.] 10th February, 1904.

No. 13850.—Ammonal Explosives, Limited, of 695, Salisbury House, London Wall, in the City of London, England. Explosive. [J. Führer.] 11th February, 1904.

No. 15222.—Frederic Wanklyn Williams, of Napier, in the Provincial District of Hawke's Bay, in the Colony of New Zealand, Merchant (registered as the proprietor of the interest of G. C. Jackson). Dust, &c., excluder for door. [E. R. Ludbrook and A. E. and G. C. Jackson.] 16th February, 1904.

No. 16535.—The Cyanide Manufacturing Company, Limited, of 20, Coptball Avenue, London, E.C., England. Manufacture of hydrocyanic acid. [H. C. Woltereck.] 16th February, 1904.

No. 16929.—William Weddel, of 16, St. Helen's Place, in the City of London, England, Merchant. Hermetical sealing of bottles. [E. S. Baldwin and H. H. Rayward—W. Weddel—J. Thompson.] 16th February, 1904.

F. WALDEGRAVE,
Registrar.

Request to amend Specification.

Patent Office,
Wellington, 17th February, 1904.

REQUEST for leave to amend the undermentioned application for Letters Patent has been received, and is open to public inspection at this office. Any person may, at any time within one month from the date of this *Gazette*, give me notice in writing of opposition to the amendments. Such notice must set forth the particular grounds of objection, and be in duplicate. A fee of 10s. is payable thereon.

No. 16140.—26th March, 1903.—Philip Magnus, of 52, Harmsworth Street, Collingwood, Victoria, Collector. Improvements in pneumatic tires.

The nature of the proposed amendments is as follows:—

1. To strike out lines 1, 2, and 3, page 2, of the specification, and to insert instead the following: "This invention relates to pneumatic tires for vehicles, and provides more especially improvements in the construction thereof and in the mode of securing them in the rims of wheels, and an improved process for treating leather to be used in the construction of said tires, whereby the leather is impregnated and faced with a coating of rubber and a tire of great durability and power to resist moisture and puncture is obtained."

2. To insert at the end of page 4, before the preamble to the claims on page 5, the following: "I desire it to be understood that I lay no claim to the exclusive use of leather in the construction of a cover, casing, or tread-ring for tires, nor do I claim any new mode of tanning leather. What I do claim as new and part of my invention is my process of treating leather whereby it becomes impregnated and faced with a coating of rubber; the rubber during the process being used in solutions in which the leather is immersed as described herein."

The applicant states, "My reasons for making this amendment are as follows: For the fuller explanation of my invention."

F. WALDEGRAVE,
Registrar.

Request to amend Application for Letters Patent allowed.

THE request to amend Application for Letters Patent No. 16666, R. L. and D. Adams (advertised in Supplement to *New Zealand Gazette*, No. 2, of the 7th January, 1904), has been allowed.

F. WALDEGRAVE,
Registrar.

Request to correct Clerical Error in Specification allowed.

THE request to correct clerical error in specification, No. 16076, W. E. Hughes, detecting mineral deposits (advertised in Supplement to *New Zealand Gazette*, No. 63, of the 6th August, 1903), has been allowed.

F. WALDEGRAVE,
Registrar.

Applications for Letters Patent abandoned.

LIST of applications for Letters Patent, with which provisional specifications only have been filed, abandoned (*i.e.*, complete specifications not lodged) from the 4th February to the 17th February, 1904, inclusive:—

- No. 16184.—C. H. Ward, pigment.
- No. 16189.—G. Stevenson, straw-elevator.
- No. 16190.—G. Stevenson, operating venetian-blind.
- No. 16195.—G. Porter, cycle-chain drive.
- No. 16200.—H. M. Rosenberg, kitchen-table.
- No. 16213.—W. L. Cleveland, indoor game.
- No. 16214.—W. G. Jesson, holding door ajar.
- No. 16215.—C. N. Scurr, window-lock (R. N. Adams).
- No. 16216.—J. Kelly, railway bicycle-trolley.
- No. 16218.—D. Fraser, branding meat-carcases.
- No. 16219.—J. R. Walsh, potato-digger.
- No. 16220.—W. Waters, siphon.
- No. 16222.—A. F. Gemgall, mitre shooting-block for picture-framing.
- No. 16223.—J. Hessey, locking window-sash.
- No. 16227.—The Australian Explosives and Chemical Company, Limited, draining rack-a-rock cartridges (H. W. Gepp).
- No. 16238.—H. Currie, cancer remedy.
- No. 16243.—G. W. L. Mackay, target.
- No. 16244.—G. W. L. Mackay, saddle-cloth.
- No. 16245.—T. Whitehorn, trimming cigarette-ends.
- No. 16246.—T. Goodall, animal-trap.
- No. 16247.—J. A. Rolls, fencing-staple.
- No. 16248.—A. M. Legge, lubricating vehicle-wheel.
- No. 16250.—E. Moss, weighing and tallying carcasses.
- No. 16260.—A. and J. Peterson, skylight.
- No. 16262.—G. W. White, hose-coupling.

F. WALDEGRAVE,
Registrar.

Application for Letters Patent void.

APPLICATION for Letters Patent, with which complete specification has been lodged, void owing to non-acceptance of such complete specification, from the 4th to the 17th February, 1904, inclusive:—

- No. 15618.—F. Jones, boot-nail.

F. WALDEGRAVE,
Registrar.

Applications for Letters Patent lapsed.

LIST of applications lapsed owing to Letters Patent not being sealed, from 4th February to the 17th February, 1904, inclusive:—

- No. 15097.—J. Shepherd, dredging machinery.
- No. 15223.—T. Firth, wheel-lock.
- No. 15232.—A. Cooper, wheel-lock.
- No. 15239.—A. W. and J. B. McKenzie, opening bivalve.
- No. 15261.—W. H. Keon and W. O. Millar, fire-escape.
- No. 15263.—A. F. Roy, waterproofing-composition (J. Taylor and W. Ollerenshaw).

F. WALDEGRAVE,
Registrar.

Letters Patent void.

LETTERS Patent void through non-payment of renewal fees from the 4th to the 17th February, 1904, inclusive:—

THROUGH NON-PAYMENT OF SECOND-TERM FEES.

- No. 12155.—A. Sommer, solutions of sweet carbamides.
- No. 12156.—F. E. Munn, blank-wirer.
- No. 12161.—The Avery Drill Company, drill (R. Avery).
- No. 12163.—J. Smith, ore-treatment.

No. 12166.—G. H. Anderson, weatherboarding.
 No. 12169.—W. H. Cutten, dredge-bucket.
 No. 12177.—J. J. Roth, advertising soap-block.
 No. 12178.—J. Steiger, cement.
 No. 12179.—H. J. Buchan, acetylene-generator.
 No. 12180.—C. Tandy, horse-shoe.
 No. 12181.—J. Macalister, plough attachment.
 No. 12184.—W. G. Pedersen, L. Adler, and P. N. Halsh, cigarette-machine.

THROUGH NON-PAYMENT OF THIRD-TERM FEES.

No. 8997.—D. White and T. M. Simpson, extracting precious metals.
 No. 9021.—D. MacDonald, wood-splitter.
 No. 9042.—The Sussmann Electric Miners' Lamp Company, Limited, active material for battery-plates (S. A. Rosenthal).

F. WALDEGRAVE,
 Registrar.

Applications for Registration of Trade Marks.

Patent Office,
 Wellington, 17th February, 1904.

APPLICATIONS for registration of the following trade marks have been received. Notice of opposition to the registration of any of these applications may be lodged at this office within two months of the date of this *Gazette*. Such notice must be in duplicate, and accompanied by a fee of £1.

No. of application: 4509.
 Date: 11th January, 1904.

TRADE MARK.

The words

KUREX CREAM.

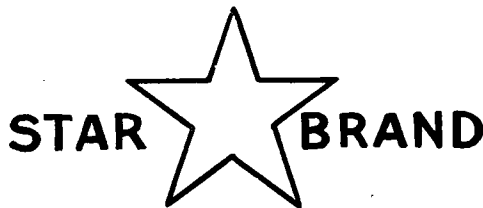
NAME.

WILLIAM FOLLETT CLARKE, of Victoria Street, Auckland, New Zealand, Chemist.

No. of class: 3.
 Description of goods: An ointment.

No. of application: 4522.
 Date: 19th January, 1904.

TRADE MARK.



The essential particulars of this trade mark are the device of a star and the word "Star"; and any right to the exclusive use of the added matter is disclaimed.

NAME.

W. ROSS AND SON, of Port Ahuriri, Napier, Hawke's Bay, in the Colony of New Zealand, Manufacturers.

No. of class: 50.
 Description of goods: Rope and twine.

No. of application: 4523.
 Date: 19th January, 1904.

TRADE MARK.



The essential particular of this trade mark is the device of a star in combination with the initials "W. R."; and any right to the exclusive use of the added matter is disclaimed.

NAME.

W. ROSS AND SON, of Port Ahuriri, Napier, Hawke's Bay, in the Colony of New Zealand, Manufacturers.

No. of class: 50.
 Description of goods: Rope and twine.

No. of application: 4538.
 Date: 23rd January, 1904.

TRADE MARK.



The applicants claim that the said trade mark has been in use by them and their predecessors in business in respect of the article mentioned for upwards of fifteen years—that is to say, since the year 1888.

NAME.

JOHN WILSON AND Co., LIMITED, of Customs Street West, Auckland, New Zealand, Lime and Cement Manufacturers.

No. of class: 17.
 Description of goods: Lime.

No. of application : 4548.
Date : 3rd February, 1904.

TRADE MARK.



The essential particulars of this trade mark are the device of a target having thereon the word and letters "Target," "H. H. & Co.,"; and any right to the exclusive use of the letters "H. H. & Co." is disclaimed.

NAME.

HILL, HARTRIDGE, AND Co., of Camomile Street, London, E.C., England.

No. of class : 13.

Description of goods : Nails, screws, brass and iron boot and shoe rivets, hobs, nugget nails, tingles, tacks, heel-pins, &c.

No. of application : 4549.
Date : 3rd February, 1904.

TRADE MARK.

(The mark as shown in preceding notice No. 4548.)

The essential particulars of this trade mark are the device of a target having thereon the word and letters "Target," "H. H. & Co.,"; and any right to the exclusive use of the letters "H. H. & Co.," is disclaimed.

NAME.

HILL, HARTRIDGE AND Co., of Camomile Street, London, E.C., England.

No. of class : 19.

Description of goods : Guns, sporting rifles, and revolvers.

No. of application : 4550.
Date : 3rd February, 1904.

TRADE MARK.

(The mark as shown in preceding notice No. 4548.)

The essential particulars of this trade mark are the device of a target having thereon the word and letters "Target," "H. H., & Co.,"; and any right to the exclusive use of the letters "H. H. & Co.," is disclaimed.

NAME.

HILL, HARTRIDGE, AND Co, of Camomile Street, London, E.C., England.

No. of class : 13.

Description of goods : Fishing nets and lines.

B

No. of application : 4551.
Date : 3rd February, 1904.

TRADE MARK.

(The mark as shown in preceding notice No. 4548.)

The essential particulars of this trade mark are the device of a target having thereon the word and letters "Target," "H. H. & Co.,"; and any right to the exclusive use of the letters "H. H. & Co.," is disclaimed.

NAME.

HILL, HARTRIDGE, AND Co., of Camomile Street, London, E.C., England.

No. of class : 50.

Description of goods : Rope, twine, cords.

No. of application : 4554.
Date : 4th February, 1904.

TRADE MARK.

The words

KIA ORA.

NAME.

COLLINS BROS. AND Co., LIMITED, of Auckland, in the Colony of New Zealand, Manufacturing Stationers.

No. of class : 39.

Description of goods : Letter-cards.

No. of application : 4555.
Date : 4th February, 1904.

TRADE MARK.



The applicants claim that the said trade mark has been used by them and their predecessors in business in respect of the articles mentioned for three years before the 2nd day of September, 1889.

NAME.

LEVI STRAUSS AND Co., a corporation, of 18, Battery Street, in the City and County of San Francisco, State of California, United States of America.

No. of class : 38.

Description of goods : Articles of clothing, including overalls, jumpers, and other articles for working-men's wear.

No. of application: 4556.
Date: 4th February, 1904.

TRADE MARK.
The word
MORGANITE.

NAME.
THE MORGAN CRUCIBLE COMPANY, LIMITED, of Battersea Works, Battersea, London, England, Crucible-manufacturers.

No. of class: 50.
Description of goods: Crucibles, scorifiers, cupels, and other like goods, of plumbago, bone-ash, or other materials included in this class, and plumbago a manufactured article.

No. of application: 4558.
Date: 8th February, 1904.

TRADE MARK.
The word
ECLIPSE.

NAME.
BEATTIE, LANG, AND Co., of 7, Featherston Street, Wellington, New Zealand, Produce-exporters.

No. of class: 24.
Description of goods: Cheese-bandage and cheese-caps.

No. of application: 4563.
Date: 11th February, 1904.

TRADE MARK.
The word
VICTORY.

NAME.
McLEOD BROS., LIMITED, of Cumberland Street, Dunedin, New Zealand.

No. of class: 47.
Description of goods: Common soap.

No. of application: 4568.
Date: 15th February, 1904.

TRADE MARK.
(The mark as shown in preceding notice No. 4548.)
The essential particulars of this trade mark are the device of a target having thereon the word and letters "Target," "H. H. & Co.;" and any right to the exclusive use of the letters "H. H. & Co." is disclaimed.

NAME.
HILL, HARTRIDGE, AND Co., of Camomile Street, London E.C., England.

No. of class: 18.
Description of goods: Stoves.

No. of application: 4561.
Date: 10th February, 1904.

NAME.



NAME.

ZOHRAE AND Co., of Jervois Quay, Wellington, New Zealand, Wine and Spirit Merchants.

No. of class: 42.
Description of goods: Tea, baking-powder, vinegar, sauce, salad-oil, essences, coffee, pepper, flour, oatmeal, and all food products.

F. WALDEGRAVE,
Registrar.

Trade Marks registered.

LIST of Trade Marks registered from the 3rd to the 17th February, 1904, inclusive:—

- No. 3484; 4211.—H. W. de Baugh. Class 6. (*Gazette* No. 47, of the 11th June, 1903.)
- No. 3485; 4429.—C. Fletcher. Class 3. (*Gazette* No. 87, of the 12th November, 1903.)
- No. 3486; 4430.—C. Fletcher. Class 3. (*Gazette* No. 87, of the 12th November, 1903.)
- No. 3487; 4433.—F. Reddaway and Co., Limited. Class 50. (*Gazette* No. 87, of the 12th November, 1903.)
- No. 3488; 4438.—The Bile Bean Manufacturing Company. Class 3. (*Gazette* No. 87, of the 12th November, 1903.)
- No. 3489; 4439.—The Bile Bean Manufacturing Company. Class 3. (*Gazette* No. 87, of the 12th November, 1903.)
- No. 3490; 4367.—Pearson and Rutter, Limited. Class 42. (*Gazette* No. 74, of the 17th September, 1903.)
- No. 3491; 4445.—The Aeolian Company. Class 9. (*Gazette* No. 91, of the 26th November, 1903.)
- No. 3492; 4446.—The Aeolian Company. Class 9. (*Gazette* No. 91, of the 26th November, 1903.)
- No. 3493; 4449.—G. Adams and Sons, Limited. Class 5. (*Gazette* No. 91, of the 26th November, 1903.)
- No. 3494; 4441.—R. A. Dexter and D. Crozier. Class 22. (*Gazette* No. 91, of the 26th November, 1903.)
- No. 3495; 4421.—The New Zealand Dairy Association, Limited. Class 42. (*Gazette* No. 87, of the 12th November, 1903.)
- No. 3496; 4444.—Kenderdine and Kirkup. Class 50. (*Gazette* No. 91, of the 26th November, 1903.)
- No. 3497; 3938.—W. and G. Turnbull and Co. Class 42. (*Gazette* No. 94, of the 10th December, 1903.)
- No. 3948; 4442.—W. and G. Turnbull and Co. Class 42. (*Gazette* No. 94, of the 10th December, 1903.)
- No. 3499; 4455.—J. Wostenholm and Son, Limited. Class 12. (*Gazette* No. 94, of the 10th December, 1903.)
- No. 3500; 4458.—R. B. Wight. Class 43. (*Gazette* No. 94, of the 10th December, 1903.)
- No. 3501; 4468.—Corn Products Company. Class 42. (*Gazette* No. 94, of the 10th December, 1903.)
- No. 3502; 4469.—The Lineal Company, Limited. Class 3. (*Gazette* No. 94, of the 10th December, 1903.)

F. WALDEGRAVE,
Registrar.

Trade Mark Renewal Fees paid

FEES paid for the renewal of the registration of the undermentioned Trade Marks.

- For Fourteen Years from the 1st January, 1904.
- No. 74/1245.—McLeod Bros., Limited, of Dunedin, New Zealand. 8th February, 1904.
- No. 79/2083.—McLeod Bros., Limited, of Dunedin, New Zealand. 8th February, 1904.
- No. 89/2412.—H. E. Aspinall, of London, England. 11th November, 1903.
- For Fourteen Years from the Date first mentioned.
- No. 13-12.—10th March, 1890.—Vinolia Company, Limited (incorporated 1899), of London, England. 11th February, 1904.
- Nos. 26-18, 27-19, 28-20, 29-21, 30-22, 31-23, 32-24, 33-25.—3rd April, 1890.—W. and G. Turnbull and Co., of Wellington, New Zealand. 8th February, 1904.
- No. 48-36.—31st May, 1890.—The Distillers' Company, Limited, of Edinburgh, Scotland. 11th February, 1904.
- No. 66-54.—5th July, 1890.—Scott and Bowne, Limited, of London, England. 12th February, 1904.

F. WALDEGRAVE,
Registrar.

Subsequent Proprietors of Trade Marks registered.

[NOTE.—The name of the former proprietor is given in brackets; the date is that of registration.]

- No. 84/2111.—James Hazlett, of Dunedin, New Zealand, Merchant. [Mackerras and Hazlett.] 3rd February, 1904.
- No. 1126/889.—James Hazlett, of Dunedin, New Zealand, Merchant. [Mackerras and Hazlett.] 3rd February, 1904.

F. WALDEGRAVE,
Registrar.

Alteration of Address of Proprietor of Trade Mark on Register.

- No. 83/5153.—The Fellows Medical Manufacturing Company, Limited, of Saint John, New Brunswick, and Montreal, Canada. Address altered to "26, Christopher Street, New York, United States America, and Montreal, Canada."

F. WALDEGRAVE,
Registrar.

Alphabetical List of Applicants for Letters Patent for Quarter ending 31st December, 1903.

THIS list includes also (1) applications lodged prior to but gazetted during the quarter, (2) complete specifications following provisional specifications accepted and gazetted during the quarter. Where the number and date of the *Gazette* are omitted, the application has not yet been accepted.

* Denotes a provisional specification. † Denotes a prior date under section 106 of "The Patents, Designs, and Trade Marks Act, 1889."

Name, Address, and Invention.	Application.		Gazette.	
	No.	Date.	No.	Date.
Abbott, H. D., and another, Auckland, N.Z. Gold-saving vat ..	17205	2 Nov. ..	91	26 Nov.*
Abell, E. G., Brisbane, Queensland. Window-sash holder ..	17156	29 Oct. ..	91	26 Nov.
Abernethy, J. W., and others, Port Moody, B.C. Passing line under submerged vessel	17191	4 Nov. ..	91	26 Nov.
Adam, M. A., and another, London, Eng. Incandescent mantle and burner	17222	11 Dec. ..	94	10 Dec.*
Adam, W. W., and another, London, Eng. Incandescent mantle and burner	17222	11 Dec. ..	94	10 Dec.*
Adams, E., Wellington, N.Z. Boot ..	17384	17 Dec. ..	6	21 Jan., 1904.*
Agar, H., Devenport, Tasmania. Window attachment ..	16045	4 March ..	2	7 Jan., 1904.
Aggers, W., Auckland, N.Z. Cushioned furniture ..	15885	19 Jan. ..	87	12 Nov.
Aggers, W., Auckland, N.Z. Cushioned furniture ..	17401	21 Dec. ..	6	21 Jan., 1904.
Alexander, C. J., London, Eng. Incandescent gas-burner	17219	11 Nov. ..	94	10 Dec.
Alexander, G. A. W., Malvern, S.A. Washing machine	17149	28 Oct. ..	91	26 Nov.
Alexander, T. H., Kensington, Vic. Valve-mechanism ..	17266	19 Nov. ..	2	7 Jan., 1904.
Alkemade, P. V. L., Melbourne, Vic. Bucket on castors	17086	8 Oct. ..	87	12 Nov.*
Allen, C. L., Winchester, U.S.A. (See United Shoe Machinery Co., No. 15828.)				
Allen, H., Dargaville, N.Z. Venetian-blind ..	17327	5 Dec. ..	6	21 Jan., 1904.
Anderson, J., and another, Christchurch, N.Z. Truing up flax-drum	17339	8 Dec. ..	2	7 Jan., 1904.
Anderson, L. C., and another, Alexandra South, N.Z. Gold-saving screen	17080	2 Oct. ..	87	12 Nov.
Anderson, W. J., and others, Melbourne, Vic. Operating cheese-presser plate	16793	13 Aug. ..	91	26 Nov.
Andrews, A. H., and Co., Chicago, U.S.A. (See F. J. Jones, No. 17285.)				
Andrews, F. A., and another, London, Eng. Gas-tap ..	17068	6 Oct. ..	84	29 Oct.
Andrews, J. P., and another, Waikuku, N.Z. Truing up flax-drum	17339	8 Dec. ..	2	7 Jan., 1904.
Andrews, W., and another, Christchurch, N.Z. Threshing-machine	17211	5 Nov. ..	91	26 Nov.*

ALPHABETICAL LIST OF APPLICANTS FOR LETTERS PATENT—continued.

Name, Address, and Invention.	Application.		Gazette.	
	No.	Date.	No.	Date.
Applegarth, A. L., Dunedin, N.Z. Smoke-preventer and fuel-economizer	17108	13 Oct. ..	91	26 Nov.*
Armbruster, W. J., and another, St. Louis, U.S.A. Chlorination-barrel	17352	10 Dec. ..	2	7 Jan., 1904.
Arnaboldi, J., Auckland, N.Z. Tram-car brake ..	17300	24 Nov. ..	94	10 Dec.*
Arnberg, A. M., Stockholm, Sweden. Separator-drum liner ..	17074	7 Oct.
Ashcroft, E. A., Weston, Eng. Production of alkali metal ..	17181	29 Oct. ..	94	10 Dec.
Ashcroft, R. W., Palmerston North, N.Z. Tank-cleaning overflow	17185	10 Nov. ..	94	10 Dec.
Atkin, W. H., Auckland, N.Z. Furnace ..	17214	5 Nov. ..	94	10 Dec.*
Atkins, A., Wanganui, N.Z. Distributing liquid over filter-beds ..	17135	23 Oct. ..	91	26 Nov.*
Atkins, G. J., London, Eng. Electrolytic apparatus ..	17187	4 Nov. ..	91	26 Nov.
Auckland Co-operative Boot and Shoe Company, Limited, Auckland, N.Z. Insole. (H. Dearsley)	17408	24 Dec. ..	10	4 Feb., 1904.
Baker, A., Dunedin, N.Z. Tailors' press ..	17225	11 Nov. ..	91	26 Nov.*
Baker, M. G., and another, Alexandra South, N.Z. Gold-saving screen	17080	2 Oct. ..	87	12 Nov.
Balch, D. W., San Francisco, U.S.A. Railway traction. (A. A. Honey)	15826	5 Jan. ..	94	10 Dec.
Bald, J., Sydney, N.S.W. Flushing-apparatus ..	17328	5 Dec. ..	10	4 Feb., 1904.
Barger, W. G., and another, Melbourne, Vic. Disc cultivator ..	17085	8 Oct. ..	87	12 Nov.
Barnes, L. J., Auckland, N.Z. Broom-handle connection ..	17292	23 Nov. ..	94	10 Dec.*
Barnes, L. J., Auckland, N.Z. Horse-shoe fastener ..	17391	16 Dec. ..	6	21 Jan., 1904.*
Barnes, L. J., Auckland, N.Z. Horse-shoe fastener ..	17392	16 Dec. ..	6	21 Jan., 1904.*
Barnett, D. M., Melbourne, Vic. Scribing-tool for carpenters, &c.	17101	15 Oct. ..	87	12 Nov.
Barnsdale, W., Auckland, N.Z. Sterilising bonedust ..	16800	14 Aug. ..	2	7 Jan., 1904.
Barton, F. W., Dunedin, N.Z. Animal-trap ..	15978	11 Feb. ..	2	7 Jan., 1904.
Barton, F. W., and another, Dunedin, N.Z. Rail-joint ..	17274	18 Nov. ..	94	10 Dec.*
Barton, F. W., and another, Dunedin, N.Z. Horn-protector for cattle	17367	10 Dec. ..	2	7 Jan., 1904.*
Basley, G. W., Auckland, N.Z. Sash-balance. (H. E. Rathbun and W. H. Lonergan)	17145	19 Oct. ..	91	26 Nov.*
Basley, G. W., Auckland, N.Z. Account-book. (National Cash-register Company)	17348	7 Dec. ..	2	7 Jan., 1904.
Basley, G. W., Auckland, N.Z. Account-book. (National Cash-register Company)	17349	7 Dec. ..	2	7 Jan., 1904.
Basley, P. H., and others, Auckland, N.Z. Door-check ..	17206	2 Nov. ..	91	26 Nov.
Bates, J., Auckland, N.Z. Portable boiler ..	16661	18 July ..	81	15 Oct.
Bauckham, A. M., Ashhurst, N.Z. Sash retainer and lock ..	17217	10 Nov. ..	91	26 Nov.*
Baux, H. A., Auckland, N.Z. Table for ironing shirts ..	17065	2 Oct. ..	84	29 Oct.
Baux, H. A., Auckland, N.Z. Heating water by exhaust steam ..	17066	2 Oct. ..	84	29 Oct.
Baux, H. A., Auckland, N.Z. Starching-machine ..	17173	26 Oct. ..	91	26 Nov.
Bawden, W. R., Kalgoolie, W.A. Clinostat ..	17268	19 Nov. ..	2	7 Jan., 1904.
Baxter, R., Milton, N.Z. Oil emulsion ..	17394	17 Dec. ..	2	7 Jan., 1904.*
Beamish, W., Cromwell, N.Z. (See A. J. Park, No. 17323.)				
Beaven, A. W., and another, Christchurch, N.Z. Threshing-machine	17211	5 Nov. ..	91	26 Nov.*
Bear, S. S., Kyeburn Diggings, N.Z. Rivet-cutting tool ..	17215	6 Nov. ..	91	26 Nov.*
Bell, H. R., Lyttelton, N.Z. Bottle and stopper ..	14743	15 April, 1902	94	10 Dec.
Bendall, W. E., Wellington, N.Z. Roof-gutter covering ..	17248	17 Nov.
Bendixen, N., Frederiksberg, Denmark. Sterilisation of milk ..	17132	22 Oct. ..	87	12 Nov.
Bennett, R. B., Christchurch, N.Z. Billiard-table cushion ..	17098	13 Oct. ..	87	12 Nov.*
Bergersen, C. A., Palmerston North, N.Z. Operating window-sash	17104	15 Oct. ..	87	12 Nov.*
Best, H., Dunedin, N.Z. Knife-cleaner ..	17213	6 Nov. ..	2	7 Jan., 1904.
Bodle, D. W., Alfriston, N.Z. Castor ..	17385	17 Dec. ..	6	21 Jan., 1904.*
Bonneau, J. C., Vancouver, B.C. Stereotype-matrix frame ..	17192	4 Nov. ..	91	26 Nov.
Boon, A. W., Brixton, Eng. Cycle-driving mechanism ..	17423	30 Dec.
Booth, D., Wellington, N.Z. Table game ..	17124	21 Oct. ..	91	26 Nov.
Borlase, W., Dunedin, N.Z. (See J. and T. R. Christie, Nos. 17324 and 17374.)				
Borlase, W., and another, Dunedin, N.Z. Button ..	17180	29 Oct. ..	91	26 Nov.*
Boxall, R., and another, Brisbane, Queensland. Butter tinning and printing machine	15543	23 Oct., 1902 ..	2	7 Jan., 1904.
Boyens, W. H., and another, Kaikoura, N.Z. Pegless clothes-line..	17063	5 Oct. ..	84	29 Oct.*
Braddock, W. C., Blenheim, N.Z. Fruit washing and cleaning machine	16602	8 July ..	87	12 Nov.
Brewerton, S., Wai-iti, N.Z. (See W. E. Hughes, No. 17067.)				
British-American Tobacco Company, Limited, London, Eng. (See W. E. Hughes, No. 17069.)				
British Westinghouse Electric and Manufacturing Company, Limited, The, London, Eng. (See J. P. Campbell, Nos. 17153 and 17404.)				
British Westinghouse Electric and Manufacturing Company, Limited, The, London, Eng. (See W. E. Hughes, No. 17424.)				
Brooks, D. M., Wellington, N.Z. Fire-escape ..	15864	13 Jan. ..	84	29 Oct.
Brooks, W. H., Adelaide, S.A. Gas-generator ..	17102	15 Oct. ..	87	12 Nov.*
Brown, J. A., and another, Dunedin, N.Z. Fancy confections ..	17079	2 Oct.
Brown, T. H., Wellington, N.Z. Bridle ..	17410	24 Dec. ..	6	21 Jan., 1904.*
Brown, W. C., Richmond, U.S.A. (See H. R. Worthington, Nos. 17353 and 17354.)				
Buckland, E., Auckland, N.Z. Apparatus for inducing air-currents	17171	27 Oct. ..	91	26 Nov.*
Budge, G. S., Auckland, N.Z. Book-leaf holder ..	16065	9 March ..	2	7 Jan., 1904.
Buit, Du. (See under Du.)				
Bünz, C. F., Christchurch, N.Z. Instrument for treating nervous diseases. (F. J. Rottman)	16358	15 May ..	2	7 Jan., 1904.

ALPHABETICAL LIST OF APPLICANTS FOR LETTERS PATENT—*continued.*

Name, Address, and Invention.	Application.		Gazette.	
	No.	Date.	No.	Date.
Burke, A. T., and another, Mangatoki, N.Z. Breeching-strap ..	17088	9 Oct. ..	94	10 Dec.
Burke, R., and another, Mangatoki, N.Z. Breeching-strap ..	17088	9 Oct. ..	94	10 Dec.
Burl, H., London, Eng. (See Lamson Store Service Company, Limited, No. 17269.)				
Burman, E. S., and others, Melbourne, Vic. Operating cheese-presser plate	16793	13 Aug. ..	91	26 Nov.
Butel, G., Gore, N.Z. Spark-arrester	17138	24 Oct. ..	91	26 Nov.*
Butler, C., Gisborne, N.Z. Washing-machine	17338	3 Dec. ..	94	10 Dec.*
Cadman, A. J., Auckland, N.Z. Retort for destroying vegetable substances. (J. Lyle)	17245	16 Nov. ..	94	10 Dec.*
Cadman, A. J., Auckland, N.Z. Smokeless fuel-briquette. (J. Lyle)	17246	16 Nov. ..	94	10 Dec.*
Campbell, A., Sutton, N.Z. Animal-trap	15791	16 Dec., 1902 ..	87	12 Nov.
Campbell, A., Sutton, N.Z. Animal-trap	17202	4 Nov. ..	91	26 Nov.*
Campbell, J. P., Wellington, N.Z. Turbine. (The British Westinghouse Electric and Manufacturing Company, Limited)	17153	28 Oct. ..	91	26 Nov.
Campbell, J. P., Wellington, N.Z. Electric arc lamp. (The British Westinghouse Electric and Manufacturing Company, Limited)	17404	23 Dec. ..	6	21 Jan., 1904.
Carter, H., and another, Melbourne, Vic. Parcel-strap. (J. Kinsella)	17198	30 Oct. ..	91	26 Nov.*
Casgrain, L. A., Winchester, U.S.A. (See United Shoe Machinery Company, No. 16229.)				
Casimir, C., and another, Sydenham, N.Z. Incandescent lamp ..	16406	27 May ..	81	15 Oct.
Cattermole, A. E., London, Eng. Concentrating and classifying ores	17148	28 Oct. ..	91	26 Nov.
Chamberlain, R., and others, Vancouver, B.C. Passing line under submerged vessel	17191	4 Nov. ..	91	26 Nov.
Christie, J., and another, Dunedin, N.Z. Wire-strainer. (W. Borlase)	17374	12 Dec. ..	2	7 Jan., 1904.*
Christie, J., and another, Dunedin, N.Z. Wire cutter, twister, and winder. (W. Borlase)	17324	2 Dec. ..	94	10 Dec.*
Christie, R. L., Gore, N.Z. Plough-scoop	17325	28 Nov. ..	94	10 Dec.*
Christie, T. R., and another, Dunedin, N.Z. Wire cutter, twister, and winder. (W. Borlase)	17324	2 Dec. ..	94	10 Dec.*
Christie, T. R., and another, Dunedin, N.Z. Wire-strainer. (W. Borlase)	17374	12 Dec. ..	2	7 Jan., 1904.*
Clark, D., Drummond, N.Z. Plant-thinning device	16015	19 Feb. ..	94	10 Dec.
Clark, L., Hobsonville, N.Z. Flanging and socketing pipes ..	17105	13 Oct. ..	87	12 Nov.*
Clark, L., Hobsonville, N.Z. Glazing pipes, bricks, &c. ..	17106	13 Oct. ..	87	12 Nov.*
Clark, R. O., jun., Hobsonville, N.Z. Flanging and socketing pipes	17182	30 Oct. ..	91	26 Nov.*
Clark, R. O., jun., Hobsonville, N.Z. Burning pipes, &c. ..	17183	30 Oct.
Clements, S. P., Wellington, N.Z. Venetian-blind	17146	27 Oct. ..	91	26 Nov.*
Cochrane, D. L., Otahuhu, N.Z. Dray-scoop	15712	3 Dec., 1902 ..	84	29 Oct.
Collins, R., Midhurst, N.Z. Toe-protector for boots	16393	28 May ..	2	7 Jan., 1904.
Colman, T., and another, Ngahauranga, N.Z. Tip of billiard-cue ..	17331	5 Dec. ..	94	10 Dec.*
Cook, J., Wellington, N.Z. Ball valve for water-cistern ..	17316	2 Dec. ..	6	21 Jan., 1904.
Cook, J., Wellington, N.Z. Calf-feeding apparatus	17369	14 Dec. ..	2	7 Jan., 1904.
Cooper, C., Mangatoki, N.Z. Milk-weighing machine	17288	25 Nov. ..	2	7 Jan., 1904.*
Cooper, J. E., London, Eng. Anti-friction mechanism	17154	28 Oct. ..	91	26 Nov.
Coronel, A. S., Sydney, N.S.W. Window-furniture. (R. B. Wells)	17383	17 Dec. ..	6	21 Jan., 1904.*
Corrington, M., New York, U.S.A. Fluid-pressure brake	17279	19 Nov.
Coverdale, T., and another, Christchurch, N.Z. Latch lock. (J. Dockery)	17119	19 Oct. ..	91	26 Nov.*
Crafar, W. H., Blenheim, N.Z. Whiffletree	17403	23 Dec. ..	6	21 Jan., 1904.
Crawford, B., Auckland, N.Z. Silencing exhaust of gas-engine ..	15882	15 Jan. ..	84	29 Oct.
Crease, H. E., Karangahake, N.Z. Tooth-brush	17415	23 Dec. ..	6	21 Jan., 1904.
Crosbie, R. M., Dunedin, N.Z. Guide-chute for flax-stripper ..	16888	26 Aug. ..	2	7 Jan., 1904.
Cruikshank, C. M., Gore, N.Z. Water-tap	16765	7 Aug. ..	91	26 Nov.
Cummings, H. G., and others, Vancouver, B.C. Passing line under submerged vessel	17191	4 Nov. ..	91	26 Nov.
Cummings, W. J., and others, Vancouver, B.C. Passing line under submerged vessel	17191	4 Nov. ..	91	26 Nov.
Curwood, A., and another, Bluff, N.Z. Hanging and locking window-sash	17084	1 Oct. ..	87	12 Nov.*
Dahlqvist, J. A., Stockholm, Sweden. Liner for centrifugal-separator drum	17190	4 Nov. ..	94	10 Dec.
Daly, W. P., Greymouth, N.Z. Adjusting-bolster	17442	7 Dec. ..	6	21 Jan., 1904.
Daniell, H., Mosman, N.S.W. (See E. M. Perdriau, No. 17161.)				
Dann, A. C. F., Southsea, Eng. Variable-speed gear	17044	1 Oct. ..	84	29 Oct.
Davidson, J. C., Dannevirke, N.Z. Wire-strainer	17143	20 Oct. ..	91	26 Nov.*
Davis, F. L., Auckland, N.Z. Sash-regulator	16648	17 July ..	2	7 Jan., 1904.
Dearsley, H., Auckland, N.Z. (See The Auckland Co-operative Boot and Shoe Company, Limited, No. 17408.)				
De Laval, C. G. P., Stockholm, Sweden. Treating material in electric furnace	17118	16 Oct. ..	87	12 Nov.
Denniston, S. E., Invercargill, N.Z. Sheep-dipping apparatus ..	15992	13 Feb. ..	87	12 Nov.
Denniston, S. E., Avenal, N.Z. Treating flax	17287	25 Nov. ..	94	10 Dec.*
Denniston, S., Avenal, N.Z. Sheep-dipping apparatus	17406	23 Dec. ..	6	21 Jan., 1904.*
Denton, T. W., East Eyreton, N.Z. Potato-planting attachment to plough	17340	7 Dec. ..	94	10 Dec.*
Dignan, J., Auckland, N.Z. Castrating, docking, and ear-marking instrument	17212	3 Nov. ..	91	26 Nov.*
Dix, H. C., and another, Melbourne, Vic. Disc cultivator	17085	8 Oct. ..	87	12 Nov.
Dixon, M. J., West Eyreton, N.Z. Plough	17200	2 Nov. ..	91	26 Nov.*

ALPHABETICAL LIST OF APPLICANTS FOR LETTERS PATENT—continued.

Name, Address, and Invention.	Application.		Gazette.	
	No.	Date.	No.	Date.
Dockery, J., Linwood, N.Z. (See W. Strange and T. Coverdale, No. 17119.)				
Douglas, R. R., Dunedin, N.Z. Protector for dredge-bucket and link	17139	24 Oct. ..	91	26 Nov.*
Douglass, J., Hampden, N.Z. (See J. Wilkinson, No. 17238.)				
Dowling, T. F., Hawera, N.Z. Actuating fire-alarm ..	17134	22 Oct. ..	91	26 Nov.*
Du Buit, P., Paris, France. Explosive charge ..	17334	4 Dec. ..	2	7 Jan., 1904.
Dunbar, J., Invercargill, N.Z. Ribber for flax-stripper ..	17347	4 Dec. ..	2	7 Jan., 1904.*
Duncan, D., and another, Eltham, N.Z. Ointment ..	17421	29 Dec. ..	6	21 Jan., 1904.*
Duncan, G. S., Melbourne, Vic. Slime-filtering apparatus ..	17158	29 Oct. ..	91	26 Nov.*
Duncan, P. and D., Christchurch, N.Z. Cultivator ..	17256	16 Nov. ..	94	10 Dec.*
Duncan, P. and D., Christchurch, N.Z. Vehicle road wheel ..	17257	16 Nov. ..	94	10 Dec.*
Dunlop, G. H., Melbourne, Vic. Excavating and dredging machinery	17420	29 Dec. ..	6	21 Jan., 1904.
Dunn, D., Oamaru, N.Z. Wheel-jack ..	17058	2 Oct.
Dunne, R., Dunedin, N.Z. (See The New Zealand Mitre-machine Company, Limited, No. 17301.)				
Earl, W. T., Waikari, N.Z. Wire strainer and splicer ..	17361	11 Dec. ..	2	7 Jan., 1904.*
Earnshaw, T., and another, Hinds, N.Z. Brake-mechanism ..	17264	17 Nov. ..	94	10 Dec.*
East, T. Q., Napier, N.Z. Ship's ventilator ..	16225	14 April ..	2	7 Jan., 1904.
Easton, J. A., Dunedin, N.Z. Feed reservoir and box for horses ..	17398	18 Dec. ..	2	7 Jan., 1904.*
Edwards, E., and others, Paeroa, N.Z. Door-check ..	17206	2 Nov. ..	91	26 Nov.
Edwards, E., Christchurch, N.Z. Harness saddle ..	17093	9 Oct. ..	87	12 Nov.
Edwards, T., Colorado Springs, U.S.A. (See G. G. Turri, No. 17418.)				
Ekenberg, M., Stockholm, Sweden. Concentrating and evaporating liquids	17320	3 Dec. ..	2	7 Jan., 1904.
Ellery, F. J., Raetihi, N.Z. Leg-ropes for cows ..	17203	5 Nov. ..	91	26 Nov.*
Ellis, J., Warragul, Vic. Horse-cover fastener ..	15811	24 Dec., 1902 ..	81	15 Oct.
England, R. W., and another, Christchurch, N.Z. Press for artificial stone	17170	27 Oct. ..	91	26 Nov.*
England, R. W., jun., Christchurch, N.Z. Artificial-stone block ..	15991	13 Feb. ..	94	10 Dec.
England, R. W., jun., Christchurch, N.Z. Artificial-stone block ..	16008	18 Feb. ..	94	10 Dec.
Estienne, G. F. R., Paris, France. (See Lamson Store Service Company, Limited, No. 17193.)				
Fairweather, J., and others, Blenheim, N.Z. Selvedge-stripping flax-drum	15795	18 Dec., 1902 ..	84	29 Oct.
Fairweather, W., and others, Blenheim, N.Z. Selvedge-stripping flax-drum	15795	18 Dec., 1902 ..	84	29 Oct.
Fairweather, W., jun., and others, Blenheim, N.Z. Selvedge-stripping flax-drum	15795	18 Dec., 1902 ..	84	29 Oct.
Farra, J. F., Dunedin, N.Z. Cooking-utensil with drainer ..	17160	26 Oct. ..	91	26 Nov.*
Faulkner, J. W., Dunedin, N.Z. Gate or window guard ..	17427	24 Dec.
Ferrier, W., Timaru, N.Z. Candlestick ..	17232	12 Nov. ..	91	26 Nov.*
Fiske, A. J., Melbourne, Vic. Horse-rug fastener ..	17013	23 Sept. ..	94	10 Dec.
Flameless Gaslight Company, Limited, London, Eng. Vapour-generator. (W. Hooker)	17419	29 Dec. ..	6	21 Jan., 1904.
Flanagan, J. R., Christchurch, N.Z. Wheel-lock ..	17117	17 Oct. ..	94	10 Dec.*
Folsetter, W., and others, Dallas, U.S.A. Electrostatic magnetic separator	15830	5 Jan. ..	81	15 Oct.
Foster, G., Auckland, N.Z. Electrical device for preventing slugs, &c.	17307	25 Nov. ..	94	10 Dec.*
Fowler, G. H., Aylesbury, N.Z. Repairing canvas of tire-cover ..	17127	21 Oct. ..	87	12 Nov.*
Fox, G., and another, Leeds, Eng. Manufacture of bricks ..	17270	19 Nov.
Frame, L., Oamaru, N.Z. Washing-boiler ..	17278	19 Nov. ..	2	7 Jan., 1904.*
Fraser, A., and another, Otago, N.Z. Steam-engine ..	17060	3 Oct. ..	84	29 Oct.*
Fraser, J., and another, Otago, N.Z. Steam-engine ..	17060	3 Oct. ..	84	29 Oct.*
Friar, W. A., and another, Gisborne, N.Z. Brake for dray ..	17226	11 Nov. ..	91	26 Nov.*
Galbraith, D. R. S., and another, Auckland, N.Z. Reducing iron-sand	15661	18 Nov., 1902 ..	81	15 Oct.
Galbraith, D. R. S., and another, Auckland, N.Z. Reducing iron-sand	15662	18 Nov., 1902 ..	81	15 Oct.
Gale, F., and others, Lancefield, Vic. Toy gun ..	17047	1 Oct. ..	84	29 Oct.
Gamble, C. G., Waddington, N.Z. Wire-winder ..	16635	14 July ..	2	7 Jan., 1904.
Garrett, B. R., Auckland, N.Z. Trolley-arm rollers ..	17311	28 Nov. ..	94	10 Dec.*
Gay, J. H., Oamaru, N.Z. Ventilating-window ..	17336	3 Dec. ..	94	10 Dec.*
George, J. W., Christchurch, N.Z. Castor ..	17321	2 Dec. ..	94	10 Dec.*
Giles, E. L., London, Eng. (See Lamson Store Service Company, Limited, Nos. 17194 and 17195.)				
Gillespie, T., Lawrence, N.Z. Shoe for dredge-bucket link ..	17372	15 Dec. ..	2	7 Jan., 1904.
Gillies, J. H., and another, Sydney, N.S.W. Treating ores ..	17188	4 Nov. ..	91	26 Nov.*
Glossop, J., Dunedin, N.Z. Sock ..	17393	17 Dec. ..	2	7 Jan., 1904.*
Goddu, G., Winchester, U.S.A. (See United Shoe Machinery Company, No. 17380.)				
Goodwin, W., Tuapeka Mouth, N.Z. Operating window-sash ..	17329	5 Dec. ..	2	7 Jan., 1904.
Gordon, J. K., and others, Lancefield, Vic. Toy gun ..	17047	1 Oct. ..	84	29 Oct.
Gordon, N. R., Carlton, Vic. Producing living movements on screen	17317	3 Dec. ..	94	10 Dec.*
Grammer, I., and another, Ashhurst, N.Z. Rail-joint ..	17271	19 Nov. ..	94	10 Dec.*
Gray, C. E., and another, Hobart, Tas. Coin-freed franking and stamping machine	17386	17 Dec. ..	2	7 Jan., 1904.*
Green, F. H., Riverton, N.Z. Kettle-hook ..	15904	26 Jan. ..	94	10 Dec.

ALPHABETICAL LIST OF APPLICANTS FOR LETTERS PATENT—*continued.*

Name, Address, and Invention.	Application.		Gazette.	
	No.	Date.	No.	Date.
Green, M. R., Kensington Park, S.A. Non-refillable bottle ..	17189	4 Nov.	91	26 Nov.
Greenhill, J., Roslyn, N.Z. Cramp ..	17395	17 Dec.	6	21 Jan., 1904.*
Greer, H. L., and another, Johnsonville, N.Z. Tip of billiard-cue ..	17331	5 Dec.	94	10 Dec.*
Greig, J. S., and another, Stratford, N.Z. Hoe ..	17281	23 Nov.	2	7 Jan., 1904.
Gröndal, G., Djursholm, Sweden. Reducing iron-ore ..	17343	9 Dec.	2	7 Jan., 1904.
Gröndal, G., Djursholm, Sweden. Magnetic separation of iron-ore ..	17344	9 Dec.	2	7 Jan., 1904.
Grove, E., and another, Melbourne, Vic. Distributing liquid in jet spray	17137	20 Oct.	91	26 Nov.*
Gunn, W., Manchester, England. Gas-producer. (C. Whitfield) ..	17151	28 Oct.	91	26 Nov.
Gysinge Aktiebolag, Stockholm, Sweden. Electric furnace. (F. A. Kjellin)	17125	21 Oct.	87	12 Nov.
Hadaway, J. B., Brockton, U.S.A. Channel-flap-laying machine ..	17315	2 Dec.	94	10 Dec.*
Hair, J., Oamaru, N.Z. Shoe for racehorse ..	17140	24 Oct.	87	12 Nov.*
Hamlin, E. A. G., Wellington, N.Z. Rain, dust, and draught excluder for door	17095	13 Oct.	87	12 Nov.*
Hamlin, E. A. G., Wellington, N.Z. Draught, dust, and rain excluder for door	17096	13 Oct.	87	12 Nov.*
Hamlin, E. A. G., Wellington, N.Z. Dust, rain, and draught excluder for door	17097	13 Oct.	87	12 Nov.*
Hamlin, E. A. G., Dannevirke, N.Z. Sash-grip ..	17310	1 Dec.
Hannan, W. J., Orepuki, N.Z. Brake ..	17209	5 Nov.	91	26 Nov.*
Hardy, A. R., Dunedin, N.Z. Candlestick ..	15875	14 Jan.	84	29 Oct.
Hardy, J. R., Sydney, N.S.W. Brick-kiln ..	17123	21 Oct.	87	12 Nov.
Hardy, J. W., and another, Dunedin, N.Z. Supply and discharge of cistern	17306	25 Nov.	94	10 Dec.*
Harris, J., Wellington, N.Z. Incubator ..	17250	17 Nov.	94	10 Dec.*
Harrison, J., and another, Stewart Island, N.Z. Hanging and locking window-sash	17084	1 Oct.	87	12 Nov.*
Harvey, W. J. M., Rata, N.Z. Engine-governor ..	15835	7 Jan.	84	29 Oct.
Hayne, J. R., Dunedin, N.Z. Pneumatic spring ..	17048	1 Oct.	84	29 Oct.*
Heath, T., Pokororo, N.Z. Castrating-instrument ..	17378	16 Dec.	2	7 Jan., 1904.*
Hement, T. C., Christchurch, N.Z. Sheet-metal pipe ..	17388	17 Dec.	10	4 Feb., 1904.*
Henderson, C. S., Invercargill, N.Z. Pivoting swinging-mirror ..	17262	18 Nov.	94	10 Dec.*
Henderson, J. C., and others, Melbourne, Vic. Operating presser-plate of cheese-press	16793	13 Aug.	91	26 Nov.*
Hercus, J., and another, Dunedin, N.Z. Horn-protector for cattle	17367	10 Dec.	2	7 Jan., 1904.*
Heskett, T. J., Brunswick, Vic. Smelting metallic oxides ..	17333	4 Dec.	94	10 Dec.*
Heskett, T. J., and another, Brunswick, Vic. Treating iron-ore ..	17425	30 Dec.	6	21 Jan., 1904.*
Hewton, A. L., Dunedin, N.Z. Sash raiser and lock. (J. O. Hewton)	17305	25 Nov.	94	10 Dec.*
Hewton, J. O., Dunedin, N.Z. (See A. L. Hewton, No. 17305.)				
Hinton, E., and another, London, Eng. Gas-tap ..	17068	6 Oct.	84	29 Oct.
Hoadley, W. E. C., Melbourne, Vic. Inversion of sugar ..	17345	9 Dec.	2	7 Jan., 1904.*
Holden, G. F., Wallace, Vic. Grain-compressor ..	17284	21 Nov.	2	7 Jan., 1904.
Holland, R., Flemington, N.Z. Pin for shoe of traction-engine ..	17276	22 Nov.	94	10 Dec.*
Holm, C. L., Stockholm, Sweden. Box bearing for rotating shaft..	17294	26 Nov.	2	7 Jan., 1904.
Holms, J., jun., Waimahaka, N.Z. Coupling-link ..	15933	30 Jan.	81	15 Oct.
Holms, J., jun., Waimahaka, N.Z. Clasp for traces, &c. ..	17237	12 Nov.	2	7 Jan., 1904.*
Holt, J. B., and another, Dunedin, N.Z. Steam-box for pressing garments	17201	2 Nov.	91	26 Nov.
Honey, A. A., Chicago, U.S.A. (See D. W. Balch, No. 15826.)				
Hood, W., Dunedin, N.Z. Border spring for chairs, &c. ..	17346	7 Dec.	2	7 Jan., 1904.*
Hooke, W., and another, Wellington, N.Z. Boot sole and heel ..	17120	20 Oct.	91	26 Nov.*
Hooker, W., London, Eng. (See The Flameless Gaslight Company, Limited, No. 17419.)				
Horrocks, L. B., Wellington, N.Z. Vending-machine ..	17303	27 Nov.	94	10 Dec.*
Horrocks, L. B., New Plymouth, N.Z. Anti-rattler for window-sash	17409	24 Dec.	6	21 Jan., 1904.*
Howland, R., Wellington, N.Z. Amalgamator ..	17076	7 Oct.	84	29 Oct.*
Hughes, W. E., Wellington, N.Z. Belt-coupling. (S. Brewerton)..	17067	6 Oct.	84	29 Oct.*
Hughes, W. E., Wellington, N.Z. Cigarette-machine. (British-American Tobacco Company, Limited)	17069	6 Oct.	14	18 Feb., 1904.
Hughes, W. E., Wellington, N.Z. Fluid-pressure turbine. (British Westinghouse Electric and Manufacturing Company, Limited)	17424	4 Dec.
Hull, A., Kaihu, N.Z. Repairing leaks in metal vessels ..	17252	17 Nov.	94	10 Dec.*
Humble, G. B., and others, Geelong, Vic. Floor-cramp. (G. W. M. McDonald)	17350	10 Dec.	6	21 Jan., 1904.
Humble, T. S., and others, Geelong, Vic. Floor-cramp. (G. W. M. McDonald)	17350	10 Dec.	6	21 Jan., 1904.
Humble, W., and others, Geelong, Vic. Floor-cramp. (G. W. M. McDonald)	17350	10 Dec.	6	21 Jan., 1904.
Humble, W. H., and others, Geelong, Vic. Floor-cramp. (G. W. M. McDonald)	17350	10 Dec.	6	21 Jan., 1904.
Hutchinson, G., Wellington, N.Z. Milking-apparatus ..	17078	7 Oct.	84	29 Oct.*
Hutchinson, G., Wellington, N.Z. Milking-machine ..	15894	23 Jan.	91	26 Nov.
Irvine, J., Napier, N.Z. Preventing fraudulent opening of cases ..	17072	6 Oct.	84	29 Oct.*
Jacobson, S. H., New York, U.S.A. Ventilator ..	16512	20 June, 1902†	78	1 Oct.*
Jaggers, J. A., Whangarei, N.Z. Rowlock ..	17253	17 Nov.	94	10 Dec.*
James, C. E., Alton, N.Z. Backband and shaft-tug ..	17176	3 Nov.	91	26 Nov.*
James, R. E., Dunedin, N.Z. Milk-strainer ..	17196	2 Nov.	91	26 Nov.*
James, W. J., Wanganui, N.Z. Trough ..	17241	16 Nov.	94	10 Dec.*
Jenkins, H., and another, Eltham, N.Z. Ointment ..	17421	29 Dec.	6	21 Jan., 1904.*
Johnson, G. B., London, Eng. Rolling sheet-metal strips ..	17223	11 Nov.	94	10 Dec.

ALPHABETICAL LIST OF APPLICANTS FOR LETTERS PATENT—continued.

Name, Address, and Invention.	Application.		Gazette.	
	No.	Date.	No.	Date.
Jones, E., Wellington, N.Z. Elevator	17411	24 Dec.	6	21 Jan., 1904.*
Jones, F. J., Wellington, N.Z. Extensible bracket ..	17330	5 Dec.	94	10 Dec.*
Jones, F. J., Wellington, N.Z. Hat-support beneath chair ..	17377	16 Dec.	10	4 Feb., 1904.
Jones, F. J., Wellington, N.Z. Kiln for drying timber. (A. H. Andrews and Co.—H. J. Morton)	17285	28 Nov.	94	10 Dec.*
Jorgenson, O. A., and another, Wellington, N.Z. Window-sash ..	17089	9 Oct.	87	12 Nov.*
Kemp, J., New Plymouth, N.Z. Tailboard of tip dray ..	17064	5 Oct.	84	29 Oct.
Kennedy, C. D., and another, Napier, N.Z. Spanner ..	17110	15 Oct.	84	29 Oct.
Kerr, H., and another, Drummond, N.Z. Seed-sower ..	17368	10 Dec.	2	7 Jan., 1904.*
Kilkelly, M. J., and another, Grove Bush, N.Z. Belt-fastener ..	17114	15 Oct.	87	12 Nov.*
Kilkelly, T., and another, Grove Bush, N.Z. Belt-fastener ..	17114	15 Oct.	87	12 Nov.*
Kinsella, J., Camberwell, Vic. (See H. Carter and R. T. Paterson, No. 17198.)				
Kirkpatrick-Picard, H. F., and another, London, Eng. Ore-concentration	17147	28 Oct.	91	26 Nov.
Kjellin, F. A., Gysinge, Sweden. (See Gysinge Aktiebolag, No. 17125.)				
Knapp, A. J., Totara Flat, N.Z. Railway-coupling ..	17178	3 Nov.	91	26 Nov.*
Knapp, A. V., Wellington, N.Z. Expanding horses' hoofs ..	17309	1 Dec.	94	10 Dec.*
Knewstubs, E., Port Chalmers, N.Z. Depositing dredged material	17164	23 Oct.	94	10 Dec.*
Knight, J. I., and another, Auckland, N.Z. Saddle ..	17204	2 Nov.	91	26 Nov.*
Knowles, C. H., and another, Wanganui, N.Z. Speedily stopping ships, &c.	17362	11 Dec.	2	7 Jan., 1904.*
Knox, A., Brisbane, Queensland. Electrical clock ..	17210	3 Nov.	94	10 Dec.
Lafranchi, A., Cardrona, N.Z. Fog-horn ..	17081	2 Oct.	84	29 Oct.*
Lambert, F., Waikaremoana, N.Z. Lock-gate ..	17174	30 Oct.	91	26 Nov.*
Lamson Store Service Company, Limited, London, Eng., and Sydney, N.S.W. Despatch-carrier. (C. F. R. Estienne)	17193	4 Nov.	2	7 Jan., 1904.
Lamson Store Service Company, Limited, London, Eng., and Sydney, N.S.W. Tube-bending machine. (E. L. Giles)	17194	4 Nov.	2	7 Jan., 1904.
Lamson Store Service Company, Limited, London, Eng., and Sydney, N.S.W. Despatch-system receiving-terminal. (E. L. Giles)	17195	4 Nov.	2	7 Jan., 1904.
Lamson Store Service Company, Limited, London, Eng. Despatch-carrier. (H. Burl)	17269	19 Nov.	94	10 Dec.
Lancaster, E. W., Westminster, Eng. Bath ..	17240	16 Nov.	94	10 Dec.
Laval, De. (See under De.)				
Lawrence, A., and another, Christchurch, N.Z. Packing eggs ..	17273	19 Nov.	94	10 Dec.*
Lawrence, F. J., and another, Christchurch, N.Z. Packing eggs ..	17273	19 Nov.	94	10 Dec.*
Leach, G., Melbourne, Vic. Cream-separator ..	17159	29 Oct.	91	26 Nov.*
Leach, J. D., Dargaville, N.Z. Operating venetian-blind ..	17122	20 Oct.	87	12 Nov.*
Leith, A., Auckland, N.Z. Cow leg-ball and tail-holder ..	17382	16 Dec.	2	7 Jan., 1904.*
Leland, S. D., Winchester, U.S.A. (See United Shoe Machinery Company, No. 15827.)				
Levings, A., Bluff, N.Z. Mitre-box and cramp ..	17082	1 Oct.	84	29 Oct.*
Lewis, A. M., Wellington, N.Z. Liquid-filter ..	17075	7 Oct.	84	29 Oct.*
Light, A. H., and another, Auckland, N.Z. Insecticide ..	17396	18 Dec.	2	7 Jan., 1904.*
Lightband, C. D., Wellington, N.Z. Boot-polishing machine ..	17387	17 Dec.	2	7 Jan., 1904.*
Lightband, H., Christchurch, N.Z. Tire-cover ..	17428	31 Dec.	10	4 Feb., 1904.*
Littleproud, A., and another, Auckland, N.Z. Printing name on glass panel	17289	24 Nov.	94	10 Dec.*
Lombard, N., Worcester, U.S.A. Governor ..	17399	18 Dec.	6	21 Jan., 1904.
Loneragan, W. H., and another, Providence, R.I., U.S.A. (See G. W. Basley, No. 17145.)				
Lotz, A., San Francisco, U.S.A. Carpet-renovator ..	17415	22 Dec.	10	4 Feb., 1904.
Lough, H., Christchurch, N.Z. Cash or parcel transmitter ..	17144	22 Oct.	94	10 Dec.
Love, J. H., and another, Auckland, N.Z. Saddle ..	17204	2 Nov.	91	26 Nov.*
Lowe, G. I., Palmerston North, N.Z. Flax-scuteher ..	17371	15 Dec.	2	7 Jan., 1904.*
Lucas, F., and another, Christchurch, N.Z. Press for artificial stone	17170	27 Oct.	91	26 Nov.*
Lungley, C. F., Albert Park, Vic. Treatment of ironsand ..	17130	8 Oct.	87	12 Nov.
Lusk, R. B., Auckland, N.Z. Dressing flax ..	17179	3 Nov.	91	26 Nov.*
Lyford, C., Tauherenikau, N.Z. Tying flax ..	17073	7 Oct.	84	29 Oct.*
Lyle, J., Surrey, Eng. (See A. J. Cadman, Nos. 17245 and 17246.)				
Mabin, F. B., and another, Wellington, N.Z. Boot sole and heel ..	17120	20 Oct.	91	26 Nov.*
Macalister, J., Invercargill, N.Z. Chain-drive manure-feed ..	17116	15 Oct.	87	12 Nov.*
Macalister, J., Invercargill, N.Z. Ridging-machine ..	17115	15 Oct.	87	12 Nov.*
MacCann, J. W., and another, Christchurch, N.Z. Fly-catcher ..	17397	19 Dec.
Macdonald, D. C., Campbelltown, N.Z. Treating grain	17370	14 Dec.	2	7 Jan., 1904.
Macintosh, J. M., Brunswick, Vic. Sash-fastener ..	16372	19 May	2	7 Jan., 1904.
Macky, J. J., Auckland, N.Z. Door-handle fastening ..	17416	23 Dec.	6	21 Jan., 1904.*
Magnus, P., Collingwood, Vic. Preparing leather ..	16139	26 March	84	29 Oct.
Mahoney, F. J., and another, Christchurch, N.Z. Incandescent lamp	16406	27 May	81	15 Oct.
Manning, W. H., and others, Auckland, N.Z. Door-check ..	17206	2 Nov.	91	26 Nov.
Manton, J. A., and another, Parramatta, N.S.W. Billiard-score indicator	17381	17 Dec.	2	7 Jan., 1904.*
Marks, J., Devonport, N.Z. Hose-coupling ..	17359	8 Dec.	2	7 Jan., 1904.*
Marshall, W. H., and another, Christchurch, N.Z. Muffling sound of explosion in motors	17055	1 Oct.	84	29 Oct.*
Martin, W. A., Albury, N.S.W. Heel-piece for boots ..	17083	2 Oct.	87	12 Nov.*
Matthews, J. J., Maldon, Vic. Acetylene-generator ..	17100	15 Oct.	87	12 Nov.
May, T. W., Auckland, N.Z. Water-closet cistern ..	17291	23 Nov.	94	10 Dec.*

ALPHABETICAL LIST OF APPLICANTS FOR LETTERS PATENT—continued.

Name, Address, and Invention.	Application.		Gazette.	
	No.	Date.	No.	Date.
McCarthy, M., Miller's Flat, N.Z. Rabbit-poison	17364	9 Dec. ..	6	21 Jan., 1904.*
McCarthy, T., and another, Dunedin, N.Z. Fancy confections ..	17079	2 Oct.
McCulloch, A. H., Sydney, N.S.W. Preventing escape of volatile from fixed carbon in coal	17390	18 Dec.
McCutcheon, C. O., and another, Christchurch, N.Z. Well-sinking apparatus	17254	16 Nov. ..	94	10 Dec.*
McDonald, A., and another, Riccarton, N.Z. Rod for wheel ..	17099	10 Oct. ..	87	12 Nov.*
McDonald, G. W. M., Geelong, Vic. (See W., T. S., W. H., and G. B. Humble, No. 17350.)				
McKenzie, D., Dunedin, N.Z. Pen holder finger-guide	15817	30 Dec., 1902 ..	81	15 Oct.
McLeod, A., Auckland, N.Z. Marking-stamp	17299	25 Nov. ..	94	10 Dec.*
McLeod, W., Woodbury, N.Z. Nail and staple drawer	17163	28 Oct. ..	91	26 Nov.*
McPharlin, A. J., Auckland, N.Z. Bag for collecting kauri-gum ..	17059	3 Oct. ..	84	29 Oct.*
McPhee, J. H. A., Dunedin, N.Z. Reducing iron-ore	17112	15 Oct. ..	87	12 Nov.*
McPherson, J. O., Fortrose, N.Z. Fencing-dropper	17109	16 Oct. ..	91	26 Nov.*
			2	7 Jan., 1904.
Mercer, C. B., Dunedin, N.Z. Music-leaf turner	17113	15 Oct. ..	87	12 Nov.*
Meyer, P., and another, Motu, N.Z. Brake for dray	17226	11 Nov. ..	91	26 Nov.*
Midgley, E., London, Eng. (See E. Waters, jun., No. 17356.)				
Miller, A., and another, Dunedin, N.Z. Rail-joint	17274	18 Nov. ..	94	10 Dec.*
Miller, J., Dunedin, N.Z. Envelope	17091	5 Oct. ..	94	10 Dec.
Miller, J., Dunedin, N.Z. Wrapper	16733	16 Dec. ..	2	7 Jan., 1904.
Miller, J. A., and another, Melbourne, Vic. Phonographic and stereoscopic apparatus	17046	1 Oct. ..	84	29 Oct.
Miller, J. J., and another, Melbourne, Vic. Phonographic and stereoscopic apparatus	17046	1 Oct. ..	84	29 Oct.
Mills, E. G., South Yarra, Vic. Manufacturing white-lead ..	17043	1 Oct. ..	84	29 Oct.*
Moir, J., Johannesburg, Transvaal. Detecting and estimating gold	17155	28 Oct. ..	91	26 Nov.
Monsley, G., Brunswick, Vic. (See Tye and Co. Proprietary, Limited, No. 17220.)				
Montgomerie, R. A., Aberfeldie, N.Z. Fencing-wire	17224	11 Nov. ..	94	10 Dec.
Moore, M., and another, Melbourne, Vic. Treating iron-ore ..	17425	30 Dec. ..	6	21 Jan., 1904.*
Morgan, H. E. J., Midland Junction, W.A. Tobacco-pipe ..	16055	6 March ..	2	7 Jan., 1904.
Morgan, J., Dunedin, N.Z. Rope buckle	17272	20 Nov. ..	2	7 Jan., 1904.
Morris, T., Dunedin, N.Z. Peg for fixing traps, tents, &c.	15920	27 Jan. ..	87	12 Nov.
Mortimer, W. G., Toorak, Vic. Pot-cleaner	17242	16 Nov. ..	94	10 Dec.
Morton, H. J., Chicago, U.S.A. (See F. J. Jones, No. 17235.)				
Morton, J., and another, St. Louis, U.S.A. Chlorination-barrel ..	17352	10 Dec. ..	2	7 Jan., 1904.
Moss, B., Melbourne, Vic. Adjusting candles for carriage-lamps ..	17295	26 Nov. ..	94	10 Dec.*
Murphy, M., Winton, Tasmania. (See M. D. Synnot, No. 17357.)				
Naismith, N., St. Andrew's, N.Z. Dutch and drag hoe	17142	23 Oct. ..	94	10 Dec.*
Nankivell, F. H., Waikouaiti, N.Z. Oiling idle pinions and pulleys	17335	3 Dec. ..	94	10 Dec.*
National Cash Register Company, Dayton, U.S.A. (See G. W. Basley, Nos. 17348 and 17349.)				
Natural Food Company, Niagara, U.S.A. Manufacture of biscuits. (H. D. Perky)	17152	28 Oct. ..	91	26 Nov.
Needham, L. A., and another, Wellington, N.Z. Window-sash ..	17089	9 Oct. ..	87	12 Nov.*
Nelson, G., Napier, N.Z. Refrigerating machinery	17376	15 Dec. ..	6	21 Jan., 1904.
Nettheim, C., and another, Sydney, N.S.W. Boot	17319	3 Dec. ..	94	10 Dec.*
Newson, F., Auckland, N.Z. Game	17282	19 Nov. ..	94	10 Dec.*
New Zealand Mitre-machine Company, Limited, Dunedin, N.Z. Mitre-cutter rest. (R. Dunne)	17301	23 Nov. ..	94	10 Dec.*
Nicholas, A. J., Wallace, N.Z. Target	17407	23 Dec. ..	6	21 Jan., 1904.*
Nicholson, S., Gore, N.Z. Inner tube for motor car	17244	16 Nov. ..	94	10 Dec.*
Noonan, J. H., and another, Auckland, N.Z. Billiard-rest ..	17417	23 Dec. ..	6	21 Jan., 1904.*
Oakes, C. S., and another, Parramatta, N.S.W. Billiard-score indicator	17381	17 Dec. ..	2	7 Jan., 1904.*
O'Brien, T. E., Narrabri, N.S.W. Bottle	17157	29 Oct.
O'Connor, T. B., and another, Auckland, N.Z. Billiard-rest ..	17417	23 Dec. ..	6	21 Jan., 1904.*
O'Hara, W. J., Papatoetoe, N.Z. Wagon	17172	27 Oct. ..	91	26 Nov.*
Ohlsson, O., Sodertelge, Sweden. Centrifugal separator ..	17228	12 Nov. ..	94	10 Dec.
Ohlsson, O., Sodertelge, Sweden. Supporting and driving device for rotating parts	17229	12 Nov. ..	94	10 Dec.
Oldham, O., Denton, Eng. Jig-pulley for mines	17070	6 Oct. ..	84	29 Oct.
Oliver, H., Hororata, N.Z. Adjusting gate on mounting ..	17255	14 Nov. ..	94	10 Dec.*
Olsen, H. O., Melbourne, Vic. Artificial stone	17283	21 Nov. ..	2	7 Jan., 1904.
Osmond, S. J., Laura, S.A. Washing-machine	16285	30 April ..	91	26 Nov.
Otway, A. E., Invercargill, N.Z. Flax-cutter	17126	17 Oct. ..	87	12 Nov.*
Painter, C. J., Woodville, N.Z. Whisk and churner	17121	20 Oct. ..	91	26 Nov.*
Palmer, J. E., Otokia, N.Z. Branding-compound	15837	5 Jan. ..	2	7 Jan., 1904.
Park, A. J., Dunedin, N.Z. Shackle and snatch-block. (W. Beamish)	17323	2 Dec. ..	94	10 Dec.*
Parker, A., Dannevirke, N.Z. Boot-polisher	17071	6 Oct. ..	84	29 Oct.*
Parker, A., Dannevirke, N.Z. Dust and draught excluder for door	16376	19 May ..	81	15 Oct.
Parker, B., Coimadai, Vic. Destroying rabbits, &c.	15985	13 Feb. ..	94	10 Dec.
Parker, B., Coimadai, Vic. Destroying rabbits	17234	10 Nov. ..	94	10 Dec.
Parkerson, R. K., Ealing, N.Z. Propelling vessels	17275	18 Nov. ..	94	10 Dec.*
Parks, T. A., and others, Romsey, Vic. Toy gun	17047	1 Oct. ..	84	29 Oct.
Parry, T. G. A., Christchurch, N.Z. Castor	17184	30 Oct. ..	91	26 Nov.*
Paterson, F. W., Dunedin, N.Z. Vote-recorder	17199	30 Oct. ..	91	26 Nov.*
Paterson, J., Gisborne, N.Z. Bicycle attachment	15788	17 Dec., 1902..	81	15 Oct.

ALPHABETICAL LIST OF APPLICANTS FOR LETTERS PATENT—continued.

Name, Address, and Invention.	Application.		Gazette.	
	No.	Date.	No.	Date.
Paterson, R. T., and another, Melbourne, Vic. Parcel-strap. (J. Kinsella)	17198	30 Oct. ..	91	26 Nov.*
Patterson, J. G., Manchester, Eng. Coal-cutting machine ..	17150	28 Oct. ..	91	26 Nov.
Paul, J. H., Riverside, Eng. Manufacture of hydrocyanic acid ..	17259	18 Nov. ..	94	10 Dec.
Payne, F. W., Dunedin, N.Z. Lock-nut ..	16367	13 May ..	78	1 Oct.
Payne, W., and another, Sydney, N.S.W. Treating ores ..	17188	4 Nov. ..	91	26 Nov.*
Pedersen, M., Dursley, Eng. Cream-separator ..	17314	2 Dec. ..	2	7 Jan., 1904.
Pennington, R. E., Carlton, Vic. Nut-locking spring washer ..	17318	3 Dec. ..	6	21 Jan., 1904.
Perdriau, E. M., Drummoyne, N.S.W. Overcoat. (H. Daniell) ..	17161	24 Oct. ..	94	10 Dec.*
Perky, H. D., Niagara, U.S.A. (See The Natural Food Company, No. 17152.)				
Petersen, O., Christchurch, N.Z. Sandal ..	17304	26 Nov. ..	94	10 Dec.*
Petford, J., Auckland, N.Z. Water-tank and cooling-chamber ..	17298	24 Nov. ..	10	4 Feb., 1904.*
Picard. (See Kirkpatrick-Picard.)				
Pond, J. A., Auckland, N.Z. Sterilising and drying bones ..	17136	20 Oct. ..	87	12 Nov.
Prestidge, J., Hororata, N.Z. Castrating lambs ..	17197	3 Nov. ..	91	26 Nov.*
Prichard, N. S., and another, Hinds, N.Z. Brake mechanism ..	17264	17 Nov. ..	94	10 Dec.*
			6	21 Jan., 1904.
			91	26 Nov.*
Purdie, J., Dunedin, N.Z. Wave motor ..	17175	2 Nov. ..	6	21 Jan., 1904.
Purser, E., Wanganui, N.Z. Rain-water separator ..	17162	27 Oct. ..	91	26 Nov.*
Ramage, J., Balclutha, N.Z. Tap ..	17169	27 Oct. ..	2	7 Jan., 1904.
Ramsay, J., Invercargill, N.Z. Hair-curler ..	17218	10 Nov. ..	91	26 Nov.*
Rathbun, H. E., and another, Providence, R.I., U.S.A. (See G. W. Basley, No. 17145.)				
Renner, G., and another, Kaikoura, N.Z. Pegless clothes-line ..	17063	5 Oct. ..	84	29 Oct.*
Rice, W. S., Adams, U.S.A. Hernia truss ..	17230	12 Nov. ..	94	10 Dec.
Richmond, A. P., Mairikiwille, N.S.W. Therapeutic apparatus ..	17267	19 Nov. ..	2	7 Jan., 1904.
Riddell, W., Dunedin, N.Z. Beam scales ..	17165	21 Oct. ..	91	26 Nov.
Ritscher, J., Melbourne, Vic. Throw-crank for cycle ..	17363	11 Dec. ..	2	7 Jan., 1904.*
Robertson, J., and another, Lawrence, N.Z. Seed-sower ..	15550	16 Oct., 1902 ..	81	15 Oct.
Robertson, J., Waitati, N.Z. Driving-mechanism for ditch-plough elevator	17312	27 Nov. ..	94	10 Dec.*
Robertson, P. F. A., and another, Lawrence, N.Z. Seed-sower ..	15550	16 Oct., 1902 ..	81	15 Oct.
Robinson, A. A., and another, Moorooka, Queensland. Butter tinning and printing machine	15543	23 Oct., 1902 ..	2	7 Jan., 1904.
Robinson, J., and another, Auckland, N.Z. Insecticide ..	17396	18 Dec. ..	2	7 Jan., 1904.*
Robinson, J. T., Auckland, N.Z. Lift and sole press knife for boot-manufacturing	17236	11 Nov. ..	94	10 Dec.*
Ross, A., and another, Napier, N.Z. Flax combing and washing machine	17412	24 Dec. ..	6	21 Jan., 1904.
Ross, A., and another, Napier, N.Z. Treating flax-fibre ..	17405	23 Dec.
Ross, T. J., Auckland, N.Z. Ship's raft ..	17107	16 Oct. ..	91	26 Nov.*
Ross, W., and another, Napier, N.Z. Flax combing and washing machine	17412	24 Dec. ..	6	21 Jan., 1904.
Ross, W., and another, Napier, N.Z. Treating flax-fibre ..	17405	23 Dec.
Rossiter, E. A., Perth, W.A. Wheel-rim. (Wallington, Weston, and Co.)	17186	4 Nov.
Rottman, F. J., London, Eng. (See C. F. Bünz, No. 16358.)				
Rounthwaite, R. S., Wellington, N.Z. Dipping wood blocks in tar	17375	15 Dec. ..	2	7 Jan., 1904.*
Sargent, H. M., and another, Auckland, N.Z. Printing name on glass panel	17289	24 Nov. ..	94	10 Dec.*
Sargood, P. R., and another, Dunedin, N.Z. Steam-box for pressing garments	17201	2 Nov. ..	91	26 Nov.
Sargood, P. R., Wellington, N.Z. Collar ..	17177	3 Nov.
Schnitzer, H., Dresden, Germany. Food-warming apparatus ..	17422	30 Dec. ..	6	21 Jan., 1904.*
Scott, S., Wellington, N.Z. Crimping and cutting shortbread ..	17090	9 Oct. ..	87	12 Nov.*
Seldon, A. T., and another, Broken Hill, Queensland. Gold-saving vat	17205	2 Nov. ..	91	26 Nov.*
Sellars, W. J., Christchurch, N.Z. Manufacture of skewers, spiles, &c.	17379	16 Dec. ..	2	7 Jan., 1904.*
Shaw, E., London, Eng. Extract of coffee ..	17131	20 Oct. ..	87	12 Nov.
Shelton, F. J., Wellington, N.Z. Heating kitchen-ranges, &c. ..	17308	28 Nov. ..	94	10 Dec.*
Shillito, B. S., and another, Christchurch, N.Z. Castor ..	17062	3 Oct. ..	84	29 Oct.*
Shillito, B. S., and another, Christchurch, N.Z. Castor ..	17062	3 Oct. ..	84	29 Oct.*
Skinner, J. R., Christchurch, N.Z. Boot-heel ..	17402	22 Dec. ..	6	21 Jan., 1904.*
Skipwith, R. H., Christchurch, N.Z. Door-lock ..	17365	11 Dec. ..	2	7 Jan., 1904.*
Slack, W. F., Wellington, N.Z. Indicating depth of water beneath vessel	17166	29 Oct. ..	91	26 Nov.*
Sleight, J. S., Kaukapakapa, N.Z. Rail-joint ..	17326	5 Dec. ..	94	10 Dec.*
Smith, J. J., Wellington, N.Z. Advertising ..	17355	10 Dec.
Smith, T., Greymouth, N.Z. Diamond-drill borer ..	17400	21 Dec. ..	10	4 Feb., 1904.*
Standen, W. J., Pleasant Point, N.Z. Cutting and tailing lambs ..	17322	2 Dec. ..	94	10 Dec.*
Staples, W., Wellington, N.Z. Boot ..	16007	20 Feb. ..	84	29 Oct.
Stedman, S. R., and another, Dunedin, N.Z. Rod for wheels ..	17099	10 Oct. ..	87	12 Nov.*
Steele, E. G., and others, Dallas, U.S.A. Electrostatic magnetic separator	15830	5 Jan. ..	81	15 Oct.
Steele, R., and another, Waverley, N.S.W. Boot ..	17319	3 Dec. ..	94	10 Dec.*
Steele, W. L., and others, Dallas, U.S.A. Electrostatic magnetic separator	15830	5 Jan. ..	81	15 Oct.
Stephens, J., Auckland, N.Z. Door-lock ..	17092	10 Oct. ..	87	12 Nov.*
Stewart, J., Invercargill, N.Z. Spreading polish on floors ..	17373	11 Dec. ..	2	7 Jan., 1904.*

ALPHABETICAL LIST OF APPLICANTS FOR LETTERS PATENT—*continued.*

Name, Address, and Invention.	Application.		Gazette.	
	No.	Date.	No.	Date.
Stewart, W., and another, Auckland, N.Z. Reducing ironsand ..	15661	18 Nov., 1902..	81	15 Oct.
Stewart, W., and another, Auckland, N.Z. Reducing ironsand ..	15662	18 Nov., 1902..	81	15 Oct.
Stock, W., and another, Napier, N.Z. Spanner ..	17110	15 Oct. ..	84	29 Oct.
Stokes, W., Woolston, N.Z. Graphophone-reproducer ..	17296	27 Nov. ..	94	10 Dec.*
Storrie, A., Invercargill, N.Z. Thinning turnips ..	17280	23 Nov. ..	94	10 Dec.*
Strange, W., and another, Christchurch, N.Z. Latch-lock. (J. Dockery)	17119	19 Oct. ..	91	26 Nov.*
Stringfellow, C., Auckland, N.Z. Button-fastener ..	17360	11 Dec. ..	2	7 Jan., 1904.*
Suckling, J. H., and another, Christchurch, N.Z. Muffling sound of explosion in motors	17055	1 Oct. ..	84	29 Oct.*
Sulman, H. L., and another, London, Eng. Ore-concentration ..	17147	28 Oct. ..	91	26 Nov.
Sutton, H. M., and others, Dallas, U.S.A. Electrostatic magnetic separator	15830	5 Jan. ..	81	15 Oct.
Sutton, W., Hedgehope, N.Z. Strengthening gear of disc harrow ..	17358	8 Dec. ..	2	7 Jan., 1904.*
Synnot, M. D., Melbourne, Vic. Trapping rabbits. (M. Murphy) ..	17357	8 Dec. ..	2	7 Jan., 1904.
Tagell, J., Bethanga, Vic. Valve	17208	5 Nov. ..	91	26 Nov.*
Taylor, A., and another, Dunedin, N.Z. Button ..	17180	29 Oct. ..	91	26 Nov.*
Taylor, F. W., and another, Wanganui, N.Z. Speedily stopping ships, &c.	17362	11 Dec. ..	2	7 Jan., 1904.*
Taylor, J. E., and another, Christchurch, N.Z. Fly-catcher ..	17397	19 Dec.
Taylor, R. R., Roslyn, N.Z. Marl brick ..	17163	23 Oct. ..	2	7 Jan., 1904.*
Theobald, J., Wellington, N.Z. Shaft-tug for harness ..	17351	10 Dec. ..	2	7 Jan., 1904.*
Thomas, J. W., and another, Christchurch, N.Z. Well-sinking apparatus	17254	16 Nov. ..	94	10 Dec.*
Thomson, C., Gore, N.Z. Colouring photographs ..	17413	24 Dec. ..	6	21 Jan., 1904.
Thurlby, A., Christchurch, N.Z. Bicycle attachment ..	17366	11 Dec. ..	10	4 Feb., 1904.*
Tolman, J. S., and another, Hobart, Tas. Coin-freed franking and stamping machine	17386	17 Dec. ..	2	7 Jan., 1904.*
Tonge, J., jun., Westhoughton, Eng. Mining-drill ..	17302	24 Nov. ..	2	7 Jan., 1904.
Tregea, J., and Co. (See J. Robinson and A. H. Light, No. 17396.)				
Trevethick, J., Auckland, N.Z. Manufacture of brushes ..	17141	26 Oct. ..	87	12 Nov.
Tully, C. J., Greytown North, N.Z. Wheel-lock and rein-holder ..	17128	22 Oct. ..	91	26 Nov.
Tully, C. J., Greytown North, N.Z. Wheel-lock and rein-holder ..	17129	22 Oct. ..	91	26 Nov.
Turner, W. N., Ipswich, Eng. Separating metals ..	17261	18 Nov. ..	94	10 Dec.
Turri, G. G., Melbourne, Vic. Ore-furnace. (T. Edwards) ..	17418	29 Dec. ..	10	4 Feb., 1904.
Tye and Co. Proprietary, Limited, Melbourne, Vic. Roller-blind controller. (G. Monsley)	17220	11 Nov. ..	91	26 Nov.*
Uddstrom, C., Greymouth, N.Z. Wire-woven-mattress frame ..	17265	14 Nov. ..	94	10 Dec.*
United Shoe Machinery Company, Paterson, U.S.A. Heel-compressing machine. (S. D. Leland)	15827	5 Jan. ..	84	29 Oct.
United Shoe Machinery Company, Paterson, U.S.A. Heel-compressing machine. (C. L. Allen)	15828	5 Jan. ..	84	29 Oct.
United Shoe Machinery Company, Paterson, U.S.A. Nailing-machine. (L. A. Casgrain)	16229	15 April ..	94	10 Dec.
United Shoe Machinery Company, Paterson, U.S.A. Nailing-machine. (G. Goddu)	17380	17 Dec. ..	2	7 Jan., 1904.*
Urquhart, D., Islington, N.Z. Printing sheep-bags and adjusting length	15891	20 Jan. ..	87	12 Nov.
Vanstone, F. R., Little River, N.Z. Fencing-dropper ..	17258	14 Nov. ..	94	10 Dec.*
Van Westrum, L. S., Berlin, Germany. Road-making ..	17342	9 Dec. ..	2	7 Jan., 1904.
Van Westrum, L. S., Berlin, Germany. Sprinkling roads to prevent dust	17260	18 Nov. ..	94	10 Dec.
Veron, E., Granville, N.S.W. Raising sunken vessels ..	17133	22 Oct. ..	91	26 Nov.*
Waites, B., Johannesburg, Transvaal. Mineral concentrator and classifier	17231	12 Nov. ..	94	10 Dec.
Wales, R., Dunedin, N.Z. Cutting material to form mitre-joints ..	17235	11 Nov. ..	94	10 Dec.*
Walker, J., Brisbane, Queensland. Dress-stand figure ..	17221	11 Nov. ..	94	10 Dec.
Walker, W. R., Auckland, N.Z. Knee-pad ..	17290	24 Nov. ..	94	10 Dec.*
Wallington, Weston, and Co., Frome, Eng. (See E. A. Rossiter, No. 17186.)				
Wallis, G. P., and another, Leeds, Eng. Manufacture of bricks ..	17270	19 Nov.
Walpole, R. W., Opuia, N.Z. Beverage ..	17286	25 Nov. ..	94	10 Dec.*
Walsh, L. A., Remuera, N.Z. Fish-hook ..	17251	17 Nov. ..	94	10 Dec.*
Ward, A., Waikawa Valley, N.Z. Yoke for pigs ..	15901	21 Jan. ..	87	12 Nov.
Ward, S. A., and another, Stratford, N.Z. Hoe ..	17281	23 Nov. ..	2	7 Jan., 1904.
Warne, A. E., Nowra, N.S.W. Ore-concentrator ..	16656	15 July ..	87	12 Nov.
Warrington, R. G., Hawera, N.Z. Clamping milk-tin in cart ..	17167	29 Oct. ..	91	26 Nov.
Waters, E., jun., Melbourne, Vic. Tire-cover. (E. Midgley) ..	17356	8 Dec. ..	2	7 Jan., 1904.*
Watson, A. E., Kyneton, Vic. Agricultural rotary scraper mounting	17216	6 Nov. ..	91	26 Nov.*
Watson, J., Wellington, N.Z. Shop-window frame ..	17249	17 Nov. ..	94	10 Dec.
Watson, R. S., Islington, N.Z. Cleaning pipes of refrigerating-apparatus	17313	2 Dec. ..	94	10 Dec.*
Watt, J. E., Islington, N.Z. Coverings of walls of houses ..	17389	7 Oct. ..	2	7 Jan., 1904.
Webb, J., Arrowtown, N.Z. Luring birds to take poison ..	16034	26 Feb. ..	2	7 Jan., 1904.
Webb, J. A., Melbourne, Vic. Bag and package receiver ..	17337	7 Dec. ..	94	10 Dec.*
Webster, H., Cheltenham, N.Z. Interchangeable-blade hoe ..	17243	14 Nov. ..	94	10 Dec.*
Wellman, H. P., Melbourne, Vic. Elevating gate ..	15962	10 Feb. ..	94	10 Dec.
Wells, R. B., Wellington, N.S.W. (See A. S. Coronel, No. 17383.)				
Westrum, Van. (See under V.)				

ALPHABETICAL LIST OF APPLICANTS FOR LETTERS PATENT—continued.

Name, Address, and Invention.	Application.		Gazette.	
	No.	Date.	No.	Date.
Whitburn, S., Mercer, N.Z. Frying-pan cover	17341	7 Dec.	10	4 Feb., 1904.
White, C. J., and another, Melbourne, Vic. Distributing liquid in jets	17137	20 Oct.	91	26 Nov.*
White, R., Auckland, N.Z. Earth-scoop	17207	2 Nov.	91	26 Nov.
White, S. Dunedin, N.Z. Extinguishing falling oil-lamp	17111	15 Oct.	91	26 Nov.*
White, W., Cromwell, N.Z. Fencing-standard	17227	19 Oct.
White, W., Cromwell, N.Z. Wire standard	17087	22 Nov.	94	10 Dec.*
Whitfield, C., Northampton, Eng. (See W. Gunn, No. 17151.)
Whitney, A. N., Melbourne, Vic. Vessel	17233	10 Nov.	94	10 Dec.*
Wight, R. B., Auckland, N.Z. Beverage	17297	25 Nov.	94	10 Dec.*
Wilkins, T., Lawrence, N.Z. Knife-cleaner	16023	25 Feb.	2	7 Jan., 1904.
Wilkins, T., Lawrence, N.Z. Tobacco-cutter	17045	1 Oct.	84	29 Oct.*
Wilkinson, J., Dunedin, N.Z. Hurdle. (J. Douglass)	17238	12 Nov.	94	10 Dec.*
Williams, H., Lyttelton, N.Z. Life-saving raft	15934	2 Feb.	91	26 Nov.
Williams, J., Hawthorndale, N.Z. Drain-plough	17094	7 Oct.	87	12 Nov.*
Williams, J. C., Christchurch, N.Z. Washing-tablet	17277	21 Nov.	94	10 Dec.*
Wilson, E. J., Jeetho, Vic. Plough for cutting out tussocks, &c. ..	17077	7 Oct.	84	29 Oct.*
Wilson, E. J., Jeetho, Vic. Plough	17103	15 Oct.	87	12 Nov.
Wilson, N., jun., Warkworth, N.Z. Stirrup-iron	17239	16 Nov.	94	10 Dec.
Wilson, T., and another, Ashhurst, N.Z. Rail-joint	17271	19 Nov.	94	10 Dec.*
Winton, J. A., Mitchell, Queensland. Race-starter	17426	30 Dec.
Wiseman, J., Auckland, N.Z. Sash-lock	17293	26 Nov.	94	10 Dec.*
Woodhead, J., and another, Drummond, N.Z. Seed-sower	17368	10 Dec.	2	7 Jan., 1904.*
Woolcott, H. S., Wellington, N.Z. Drain-pipe connection	17332	7 Dec.	94	10 Dec.*
Woolcott, H. S., Wellington, N.Z. High- and low-pressure tap ..	17263	18 Nov.	94	10 Dec.*
Worthington, H. R., New York, U.S.A. Direct-acting engine. (W. C. Brown)	17353	10 Dec.	2	7 Jan., 1904.
Worthington, H. R., New York, U.S.A. Valve movement of steam-engine. (W. C. Brown)	17354	10 Dec.	2	7 Jan., 1904.
Wright, J., Auckland, N.Z. Iron fencing-standard	17247	3 Nov.	91	26 Nov.
Wright, J., Auckland, N.Z. Wire-fencing battens	16774	6 Aug.	84	29 Oct.
Wright, T. I., and another, Dunedin, N.Z. Supply and discharge of cisterns	17306	25 Nov.	94	10 Dec.*

Alphabetical List of Inventions for Quarter ending 31st December, 1903.

THIS list includes also applications lodged prior to but gazetted during the quarter, and complete specifications following provisional specifications accepted and gazetted during the quarter. Where the number and date of the *Gazette* are omitted, the application has not yet been accepted.

[* Denotes a provisional specification. † Denotes a prior date under section 106 of "The Patents, Designs, and Trade-marks Act, 1889."]

Invention.	Name.	Application.		Gazette.	
		No.	Date.	No.	Date.
Account-book	G. W. Basley	17348	7 Dec.	2	7 Jan., 1904.
Account book	G. W. Basley	17349	7 Dec.	2	7 Jan., 1904.
Acetylene generator	J. J. Matthews	17100	15 Oct.	87	12 Nov.
Advertising	J. J. Smith	17355	10 Dec.
Agricultural implement, Rotary-scraper for	A. E. Watson	17216	6 Nov.	91	26 Nov.*
Air-current inducer	E. Buckland	17171	27 Oct.	91	26 Nov.*
Alkali group, Metals of. (See Metals.)
Alloys. (See Metals.)
Amalgamator	R. Howland	17076	7 Oct.	84	29 Oct.*
Animal-rug attachment	J. Ellis	15811	24 Dec., 1902	81	15 Oct.
Animal-trap	A. Campbell	15791	16 Dec., 1902	87	12 Nov.
Animal-trap	F. W. Barton	15978	11 Feb.	2	7 Jan., 1904.
Animal-trap	A. Campbell	17202	4 Nov.	91	26 Nov.*
Anti-friction mechanism	J. E. Cooper	17154	28 Oct.	91	26 Nov.
Anti-rattler for window	H. Agar	16045	4 March	2	7 Jan., 1904.
Arc-lamp	J. P. Campbell	17404	23 Dec.	6	21 Jan., 1904.
Artificial stone	R. W. England, jun. ..	15991	13 Feb.	94	10 Dec.
Artificial stone	R. W. England, jun. ..	16008	13 Feb.	94	10 Dec.
Artificial stone	H. O. Olsen	17283	21 Nov.	2	7 Jan., 1904.
Artificial stone, Pressure-press for	R. W. England and F. Lucas	17170	27 Oct.	91	26 Nov.*
Backband and shaft-tug for harness	C. E. James	17176	3 Nov.	91	26 Nov.*
Bag. (See Kauri-gum bag, Sheep-bag.)
Bag and package receiver	J. A. Webb	17337	7 Dec.	94	10 Dec.*
Baling apparatus, Chaff-, &c.	C. F. Holden	17284	21 Nov.	2	7 Jan., 1904.
Barrel, Chlorination-	W. J. Armbruster and J. Morton	17352	10 Dec.	2	7 Jan., 1904.
Bath	E. W. Lancaster	17240	16 Nov.	94	10 Dec.
Batten. (See Fencing-batten.)
Bearing. (See Box-bearing, Shaft-bearing.)

ALPHABETICAL LIST OF INVENTIONS—continued.

Invention.	Name.	Application.		Gazette.	
		No.	Date.	No.	Date.
Beater-drum of flax-stripper, Apparatus for truing-up	J. P. Andrews and J. Anderson ..	17339	8 Dec. ..	2	7 Jan., 1904.
Bells, Actuating fire-alarm, &c.	T. F. Dowling	17134	22 Oct. ..	91	26 Nov.*
Belt-coupling	W. E. Hughes	17067	6 Oct. ..	84	29 Oct.*
Belt-fastener	T. and M. J. Kilkelly ..	17114	15 Oct. ..	87	12 Nov.*
Bending tubes, Machine for	Lamson Store Service Company, Limited	17194	4 Nov. ..	2	7 Jan., 1904.
Bevel-joint cutter	R. Wales	17235	11 Nov. ..	94	10 Dec.
Beverage	R. W. Walpole	17286	25 Nov. ..	94	10 Dec.*
Beverage	R. B. Wight	17297	25 Nov. ..	94	10 Dec.*
Bicycle. (See also Cycle.)					
Bicycle attachment	A. Thurlby	17366	11 Dec. ..	10	4 Feb., 1904.*
Bicycle, Child, &c., carrier for	J. Paterson	15788	17 Dec., 1902	81	15 Oct.
Bicycle-tire cover repairer	G. H. Fowler	17127	21 Oct. ..	87	12 Nov.*
Billiard-cue tip	H. L. Greer and T. Colman ..	17331	5 Dec. ..	94	10 Dec.*
Billiard-rest	J. H. Noonan and T. B. O'Connor	17417	23 Dec. ..	6	21 Jan., 1904.*
Billiard-score indicator	J. A. Manton and C. S. Oakes ..	17381	17 Dec. ..	2	7 Jan., 1904.*
Billiard-table cushion	R. B. Bennett	17098	13 Oct. ..	89	12 Nov.*
Bird-luring apparatus	J. Webb	16034	26 Feb. ..	2	7 Jan., 1904.
Biscuit-machine	The Natural Food Company ..	17152	28 Oct. ..	91	26 Nov.
Blind. (See Roller blind, Venetian-blind.)					
Boiler. (See Portable boiler, Washing-boiler.)					
Bolster, Adjustable	W. P. Daly	17442	7 Dec. ..	6	21 Jan., 1904.*
Bonedust, Sterilising	J. A. Pond	17136	20 Oct. ..	87	12 Nov.
Bonedust-sterilising device	W. Barnsdale	16800	14 Aug. ..	2	7 Jan., 1904.
Book. (See Account-book.)					
Book-leaf holder	G. S. Budge	16065	9 Mar. ..	2	7 Jan., 1904.
Boot	W. Staples	16007	20 Feb. ..	84	29 Oct.
Boot	C. Nettheim and R. Steele ..	17319	3 Dec. ..	94	10 Dec.*
Boot	E. Adams	17384	17 Dec. ..	6	21 Jan., 1904.*
Boot cushion heel	J. R. Skinner	17402	22 Dec. ..	6	21 Jan., 1904.*
Boot heel-piece	W. A. Martin	17083	2 Oct. ..	87	12 Nov.*
Boot insole	The Auckland Co-operative Boot and Shoe Company, Limited	17408	24 Dec. ..	10	4 Feb., 1904.
Bootmakers' knife	J. T. Robinson	17236	11 Nov. ..	94	10 Dec.*
Boot-polisher	A. Parker	17071	6 Oct. ..	84	29 Oct.*
Boot-polishing machine	C. D. Lightband	17387	17 Dec. ..	2	7 Jan., 1904.*
Boot sole and heel	W. Hooke and F. B. Mabin ..	17120	20 Oct. ..	91	26 Nov.*
Boot-toe protector	R. Collins	16393	28 May ..	2	7 Jan., 1904.
Boreholes, Clinostat for	W. R. Bawden	17263	19 Nov. ..	2	7 Jan., 1904.
Borer, Diamond-drill	T. Smith	17400	21 Dec. ..	10	4 Feb., 1904.
Bottle	T. E. O'Brien	17157	29 Oct.
Bottle and stopper	H. R. Bell	14743	15 April, 1902	94	10 Dec.
Bottle, Non-refillable	M. R. Green	17189	4 Nov. ..	91	26 Nov.
Box. (See Feed-box, Mitre-box.)					
Box-bearing	C. L. Holm	17294	26 Nov. ..	2	7 Jan., 1904.
Bracket	F. J. Jones	17330	5 Dec. ..	94	10 Dec.*
Brake	W. J. Hannan	17209	5 Nov. ..	91	26 Nov.*
Brake	W. A. Friar and P. Meyer ..	17226	11 Nov. ..	91	26 Nov.*
Brake	T. Earnshaw and N. S. Prichard	17264	17 Nov. ..	94	10 Dec.*
Brake	M. Corrington	17279	19 Nov. ..	6	21 Jan., 1904.
Brake and life-guard	J. Arnaboldi	17300	24 Nov. ..	94	10 Dec.*
Branding-compound	J. E. Palmer	15837	5 Jan. ..	2	7 Jan., 1904.
Branding-stamp	A. McLeod	17299	25 Nov. ..	94	10 Dec.*
Breeching-strap	R. and A. T. Burke	17088	9 Oct. ..	94	10 Dec.
Brick	R. R. Taylor	17163	23 Oct. ..	2	7 Jan., 1904.*
Brick-glazing process	L. Clark	17116	13 Oct. ..	17	12 Nov.
Brick-manufacture	G. P. Wallis and G. Fox ..	17270	19 Nov.
Bridle	T. H. Brown	17410	24 Dec. ..	6	21 Jan., 1904.*
Briquette, Fuel-	A. J. Cadman	17246	16 Nov. ..	94	10 Dec.*
Broom-handle connection	L. J. Barnes	17292	23 Nov. ..	94	10 Dec.*
Brush	J. Trevethick	17141	26 Oct. ..	87	12 Nov.
Brush, Tooth-, &c.	H. E. Crease	17415	23 Dec. ..	6	21 Jan., 1904.
Bucket	P. V. L. Alkemade	17086	8 Oct. ..	87	12 Nov.*
Bucket. (See also Dredge-bucket.)					
Buckle. (See Rope buckle.)					
Building, Sheet-metal downpipe on ..	T. C. Hement	17388	17 Dec. ..	10	4 Feb., 1904.*
Burner and mantle	W. W. and M. A. Adam ..	17222	11 Nov. ..	94	10 Dec.*
Burner, Gas-	C. J. Alexander	17219	11 Nov. ..	94	10 Dec.
Burning pipes	R. O. Clark, jun.	17183	30 Oct.
Butter tinning and printing machine	R. Boxall and A. A. Robinson ..	15543	23 Oct., 1902	2	7 Jan., 1904.
Button	W. Borlase	17180	29 Oct. ..	91	26 Nov.*
Button-fastener	C. Stringfellow	17360	11 Dec. ..	2	7 Jan., 1904.*
Calf-feeding apparatus	J. Cook	17369	14 Dec. ..	2	7 Jan., 1904.
Candle-adjustment for carriage-lamp	B. Moss	17295	26 Nov. ..	94	10 Dec.*
Candlestick	W. Ferrier	17232	12 Nov. ..	91	26 Nov.*
Candlestick-sconce	A. R. Hardy	15875	14 Jan. ..	84	29 Oct.
Carpet-renovator	A. Lotz	17414	22 Dec. ..	10	10 Feb., 1904.
Carrier. (See Child-carrier, Parcel-carrier, Pneumatic despatch-carrier.)					
Case. (See Packing-case.)					

ALPHABETICAL LIST OF INVENTIONS - *continued.*

Invention.	Name.	Application.		Gazette.	
		No.	Date.	No.	Date.
Cash-transmitter for stores	H. Lough	17144	22 Oct. ..	94	10 Dec.
Castor	B. S. and R. S. Shillito	17062	3 Oct. ..	84	29 Oct.
Castor	T. G. A. Parry	17184	30 Oct. ..	91	26 Nov.*
Castor	J. W. George	17321	2 Dec. ..	94	10 Dec.*
Castor	D. W. Bodle	17385	17 Dec. ..	6	21 Jan., 1904.*
Castrating-instrument	J. Prestidge	17197	3 Nov. ..	91	26 Nov.*
Castrating-instrument	J. Dignan	17212	3 Nov. ..	91	26 Nov.*
Castrating-instrument	T. Heath	17378	16 Dec. ..	2	7 Jan., 1904.*
Centrifugal-separator drum	A. M. Arnberg	17074	7 Oct.
Centrifugal-separator drum	J. A. Dahlqvist	17190	4 Nov. ..	94	10 Dec.
Centrifugal-separator drum	O. Ohlsson	17228	12 Nov. ..	94	10 Dec.
Chain-drive manure-feed	J. Macalister	17116	15 Oct. ..	87	12 Nov.*
Channel-flap-laying machine	J. B. Hadaway	17315	2 Dec. ..	94	10 Dec.*
Charges. (See Explosive charges.)					
Cheese-press	J. C. Henderson, W. J. Anderson, and E. S. Burman	16793	13 Aug. ..	91	26 Nov.
Child-carrier, Bicycle	J. Patterson	15788	17 Dec., 1902	81	15 Oct.
Chlorination-barrel	W. J. Armbruster and J. Morton	17352	10 Dec. ..	2	7 Jan., 1904.
Churner and whisk	C. J. Painter	17121	20 Oct. ..	91	26 Nov.*
Cigarette-machine	W. E. Hughes	17069	6 Oct. ..	14	18 Feb., 1904.
Cistern. (See Water-cistern.)					
Cistern-supply discharge	J. W. Hardy and T. I. Wright	17306	25 Nov. ..	94	10 Dec.*
Clamping-apparatus for securing milk-tin in cart	R. G. Warrington	17167	29 Oct. ..	91	26 Nov.
Clasp for spreader	J. Holms, jun.	17237	12 Nov. ..	2	7 Jan., 1904.*
Cleaning machine, Fruit-	W. C. Braddock	16602	8 July ..	87	12 Nov.
Cleaning pipes of refrigerator	R. S. Watson	17313	2 Dec. ..	94	10 Dec.*
Cleaning tins, &c., Appliance for	W. G. Mortimer	17242	16 Nov. ..	94	10 Dec.
Clinostat	W. R. Bawden	17268	19 Nov. ..	2	7 Jan., 1904.
Clothes-line, Pegless	G. Renner and W. H. Boyens	17063	5 Oct. ..	84	29 Oct.*
Coal-cutting machine	J. G. Patterson	17150	28 Oct. ..	91	26 Nov.
Coal, Preventing escape of volatile from fixed carbon in	A. H. McCulloch	17390	18 Dec.
Coat, Driving and riding	E. N. Perdriau	17161	24 Oct. ..	94	10 Dec.*
Coffee-extract production	E. Shaw	17131	20 Oct. ..	87	12 Nov.
Collar	P. R. Sargood	17177	3 Nov.
Colouring photographs	C. Thomson	17413	24 Dec. ..	6	21 Jan., 1904.
Compressing chaff, &c.	G. F. Holden	17284	21 Nov. ..	2	7 Jan., 1904.
Concentrator and classifier	B. Waites	17231	12 Nov. ..	94	10 Dec.
Concentrator and evaporator	M. Ekenberg	17320	3 Dec. ..	2	7 Jan., 1904.
Concentrator (See also Ore-concentrator.)					
Confections, Fancy	J. A. Brown and T. McCarthy	17079	2 Oct.
Cooking-utensil	J. F. Farra	17160	26 Oct. ..	91	26 Nov.*
Cooling-chamber and water-tank	J. Petford	17298	24 Nov. ..	10	4 Feb., 1904.*
Couch, &c., Spring	W. Hood	17346	7 Dec. ..	2	7 Jan., 1904.*
Coupling. (See Belt-coupling, Hose- coupling, Railway coupling.)					
Coupling-link	J. Holms, jun.	15933	30 Jan. ..	81	15 Oct.
Cover. (See Tire-cover.)					
Covering for roof-gutter	W. E. Bendall	17248	17 Nov.
Covering for walls	J. R. Watt	17389	7 Oct. ..	2	7 Jan., 1904.
Cow leg-ball and tail-holder	A. Leith	17382	16 Dec. ..	2	7 Jan., 1904.*
Cow leg-rope	F. J. Ellery	17203	5 Nov. ..	91	26 Nov.*
Cramp	J. Greenhill	17395	17 Dec. ..	6	21 Jan., 1904.*
Cramp and mitre-box	A. Levings	17082	1 Oct. ..	84	29 Oct.*
Cramp, Floor-	W., T. S., W. H., and G. B. Humble	17350	10 Dec. ..	6	21 Jan., 1904.
Cream-separator	G. Leach	17159	29 Oct. ..	91	26 Nov.*
Cream-separator	M. Pedersen	17314	2 Dec. ..	2	7 Jan., 1904.
Cultivator	P. and D. Duncan, Limited	17256	16 Nov. ..	94	10 Dec.*
Cultivator, Disc	W. G. Barger and H. C. Dix	17085	8 Oct. ..	87	12 Nov.
Currant-washing machine	W. C. Braddock	16602	8 July ..	87	12 Nov.
Cushion for billiard-table	R. B. Bennett	17098	13 Oct. ..	87	12 Nov.*
Cushion heel for boots	J. R. Skinner	17402	22 Dec. ..	6	21 Jan., 1904.*
Cushioned furniture	W. Aggers	15885	19 Jan. ..	87	12 Nov.
Cushioned furniture	W. Aggers	17401	21 Dec. ..	6	21 Jan., 1904.
Cutter. (See Bevel-joint cutter, Coal- cutter, Flax-cutter, Lamb-cutter, Mitre- joint cutter, Tobacco-cutter.)					
Cyanide salts, Manufacture of	J. H. Paul	17259	18 Nov. ..	94	10 Dec.
Cycle-driving mechanism	A. W. Boon	17423	30 Dec.
Cycle, Throw-crank for	J. Ritscher	17363	11 Dec. ..	2	7 Jan., 1904.*
Cycle. (See also Bicycle.)					
Despatch-carrier, Pneumatic	Lamson Store Service Company, Limited	17269	19 Nov. ..	94	10 Dec.
Diamond-drill borer	T. Smith	17400	21 Dec. ..	10	4 Feb., 1904.*
Dip, Sheep-	S. E. Denniston	15992	13 Feb. ..	87	12 Nov.
Dip, Sheep-	S. E. Denniston	17406	23 Dec. ..	6	21 Jan., 1904.*
Dipping wood blocks in tar	R. S. Rounthwaite	17375	15 Dec. ..	2	7 Jan., 1904.*
Direct-acting engine	H. R. Worthington	17353	10 Dec. ..	2	7 Jan., 1904.
Disc cultivator	W. G. Barger and H. C. Dix	17085	8 Oct. ..	87	12 Nov.
Disc harrow, Strengthening	W. Sutton	17358	8 Dec. ..	2	7 Jan., 1904.*
Diseases, Instrument for treatment of	C. F. Bünz	16358	15 May ..	2	7 Jan., 1904.

ALPHABETICAL LIST OF INVENTIONS—continued.

Invention.	Name.	Application.		Gazette.	
		No.	Date.	No.	Date.
Distributing liquids	A. Atkins	17135	23 Oct. ..	91	26 Nov.*
Distributing liquids in jet spray	C. J. White and E. Grove	17137	20 Oct. ..	91	26 Nov.*
Ditch-plough elevator	J. Robertson	17312	27 Nov. ..	94	10 Dec.*
Door-check	W. H. Manning, E. Edwards, and P. H. Basley	17206	2 Nov. ..	91	26 Nov.
Door-handle fastening	J. J. Macky	17416	23 Dec. ..	6	21 Jan., 1904.*
Door-lock	J. Stephens	17092	10 Oct. ..	87	12 Nov.*
Door-lock	R. H. Skipwith	17365	11 Dec. ..	2	7 Jan., 1904.*
Doors, Dust and draught excluder for	A. Parker	16376	19 May ..	81	15 Oct.
Doors, Rain, dust, and draught excluder for	E. A. G. Hamlin	17096	13 Oct. ..	87	12 Nov.*
Drainer, Cooking-utensil with	J. F. Farra	17160	26 Oct. ..	91	26 Nov.*
Drainpipe-connection	H. S. Woolcott	17332	7 Dec. ..	94	10 Dec.*
Drain-plough	J. Williams	17094	7 Oct. ..	87	12 Nov.*
Dray. (See Tip dray.)					
Dray or dray-scoop	D. L. Cochrane	15712	3 Dec., 1902	84	29 Oct.
Dredge-bucket link-shoe	T. Gillespie	17372	15 Dec. ..	2	7 Jan., 1904.
Dredge-bucket protector	R. R. Douglas	17139	24 Oct. ..	91	26 Nov.*
Dredged-material depositor	E. Knewstubs	17164	23 Oct. ..	94	10 Dec.
Dredging machinery	G. H. Dunlop	17420	29 Dec. ..	6	21 Jan., 1904.
Dress-stand	J. Walker	17221	11 Nov. ..	94	10 Dec.
Dried fruit, Cleaning and washing	W. C. Braddock	16602	8 July ..	87	12 Nov.
Drill	J. Tonge, jun.	17302	24 Nov. ..	2	7 Jan., 1904.
Drill borer, Diamond-	T. Smith	17400	21 Dec. ..	10	4 Feb., 1904.*
Drill-former	J. Macalister	17115	15 Oct. ..	87	12 Nov.*
Driving-coat	E. M. Perdriau	17161	24 Oct. ..	94	10 Dec.*
Dropper. (See Fencing-dropper.)					
Drying materials, Apparatus for	E. Buckland	17171	27 Oct. ..	91	26 Nov.*
Dust-excluder for doors	A. Parker	16376	19 May ..	81	15 Oct.
Dust-excluder	E. A. G. Hamlin	17095	13 Oct. ..	87	12 Nov.*
Dust-excluder	E. A. G. Hamlin	17096			
Dust-excluder	E. A. G. Hamlin	17097			
Dust-preventer	L. S. van Westrum	17260	18 Nov. ..	94	10 Dec.
Ear-marking sheep, cattle, &c.	J. Dignan	17212	3 Nov. ..	91	26 Nov.*
Earth-scoop	R. White	17207	2 Nov. ..	91	26 Nov.
Egg-packing	A. and F. J. Lawrence	17273	19 Nov. ..	94	10 Dec.*
Electric arc lamp	J. P. Campbell	17404	23 Dec. ..	6	21 Jan., 1904.
Electric furnace	C. G. P. de Laval	17118	16 Oct. ..	87	12 Nov.
Electric furnace	Gysinge Aktiebolag	17125	21 Oct. ..	87	12 Nov.
Electric time service	A. Knox	17210	3 Nov. ..	94	10 Dec.
Electrode	G. J. Atkins	17187	4 Nov. ..	91	26 Nov.
Electrolysis, Production of metals by	E. A. Ashcroft	17181	29 Oct. ..	94	10 Dec.
Electro-magnetic railway-traction	D. W. Balch	15826	5 Jan. ..	94	10 Dec.
Electrostatic magnetic separator	H. M. Sutton, W. L. and E. G. Steele, and W. Folsetter	15830	5 Jan. ..	81	15 Oct.
Elevator. (See Ditch-plough elevator, Hay-stacking elevator.)					
Emulsion, Oil	R. Baxter	17394	17 Dec. ..	2	7 Jan., 1904.*
Engine. (See Direct-acting engine, Steam-engine.)					
Engine-exhaust silencer	B. Crawford	15882	15 Jan. ..	84	29 Oct.
Engine-governor	W. J. M. Harvey	15835	7 Jan. ..	84	29 Oct.
Envelope	J. Miller	17091	5 Oct. ..	94	10 Dec.
Evaporator and concentrator	M. Ekenberg	17320	3 Dec. ..	2	7 Jan., 1904.
Excavating machinery	G. H. Dunlop	17420	29 Dec. ..	6	21 Jan., 1904.
Exhaust. (See Engine-exhaust, Explosion-muffler)					
Expanding horses' hoofs, Means of	A. V. Knapp	17309	1 Dec. ..	94	10 Dec.*
Explosion-muffler for motors, &c.	J. H. Suckling and W. H. Marshall	17055	1 Oct. ..	84	29 Oct.
Explosive charge	P. du Buit	17334	4 Dec. ..	2	7 Jan., 1904.
Extinguisher, Lamp-	S. White	17111	15 Oct. ..	91	26 Nov.*
Extract of coffee, Production of	E. Shaw	17131	20 Oct. ..	87	12 Nov.
Fastener. (See Belt-fastener, Button-fastener, Sash-fastener.)					
Fastening. (See Door-handle fastening, Horse rug-fastening, Horse-shoe fastening.)					
Feed-box for horses	J. A. Easton	17398	18 Dec. ..	2	7 Jan., 1904.*
Feeding-apparatus for calves	J. Cook	17369	14 Dec. ..	2	7 Jan., 1904.
Fencing-batten	J. Wright	16774	6 Aug. ..	84	29 Oct.
Fencing-dropper	J. O. McPherson	17109	16 Oct. ..	91	26 Nov.*
Fencing-dropper	J. O. McPherson	17109	16 Oct. ..	2	7 Jan., 1904.
Fencing-dropper	F. R. Vanstone	17258	14 Nov. ..	91	10 Dec.*
Fencing-standard	W. White	17227	19 Oct.
Fencing-standard	J. Wright	17247	3 Nov. ..	91	26 Nov.
Fencing-wires	R. A. Montgomerie	17224	11 Nov. ..	94	10 Dec.
Fertiliser and seed-sower	P. F. A. and J. Robertson	15550	16 Oct., 1902	81	15 Oct.
Filter	A. M. Lewis	17075	7 Oct. ..	84	29 Oct.*
Filter-beds, Distributing liquids over	A. Atkins	17135	23 Oct. ..	91	26 Nov.*
Filtering slime, Apparatus for	G. S. Duncan	17158	29 Oct. ..	91	26 Nov.*
Finger-guide for penholder	D. McKenzie	15817	30 Dec., 1902	81	15 Oct.
Fire-alarm, Actuating	T. F. Dowling	17134	22 Oct. ..	91	26 Nov.*
Fire-escape	D. M. Brooks	15864	13 Jan. ..	84	29 Oct.

ALPHABETICAL LIST OF INVENTIONS—continued.

Invention.	Name.	Application.		Gazette.	
		No.	Date.	No.	Date.
Fish-hook	L. A. Walsh	17251	17 Nov. ..	94	10 Dec.*
Flanging, &c., sanitary pipe	R. O. Clark, jun.	17182	30 Oct. ..	91	26 Nov.*
Flanging sanitary pipes	L. Clark	17105	13 Oct. ..	87	12 Nov.*
Flap. (See Channel-flap.)					
Flax-combing machine	W. and A. Ross	17412	24 Dec. ..	6	21 Jan., 1904.
Flax-cutter	A. E. Otway	17126	17 Oct. ..	87	12 Nov.*
Flax-dresser	R. B. Lusk	17179	3 Nov. ..	91	26 Nov.*
Flax-drum	W. and J. Fairweather and W. Fairweather, jun.	15795	18 Dec., 1902	84	29 Oct.
Flax, Scutching	G. I. Lowe	17371	15 Dec. ..	2	7 Jan., 1904.*
Flax-stripper, Apparatus for truing up drum of	J. P. Andrews and J. Anderson	17339	8 Dec. ..	2	7 Jan.
Flax-stripper guide-check	R. M. Crosbie	16888	26 Aug. ..	2	7 Jan. 1904.
Flax-stripper, Ribber for	J. Dunbar	17347	4 Dec. ..	2	7 Jan. 1904.
Flax, Treating	W. and A. Ross	17405	23 Dec. ..		
Flax-treating apparatus	S. E. Denniston	17287	25 Nov. ..	94	10 Dec.*
Flax, Tying	C. Lyford	17073	7 Oct. ..	84	29 Oct.*
Floor-cramp	W., T. S., W. H., and G. B. Humble	17350	10 Dec. ..	6	21 Jan., 1904.
Fluid-pressure turbine	J. P. Campbell	17153	28 Oct. ..	91	26 Nov.
Fluid pressure turbine	W. E. Hughes	17424	30 Dec. ..		
Flushing-apparatus	J. Bald	17328	5 Dec. ..	10	Feb., 1904.
Fly-catcher	J. W. MacCann and J. E. Taylor	17397	19 Dec. ..		
Fog-horn Blowing	A. Lafranchi	17081	2 Oct. ..	84	29 Oct.*
Food-warmer	H. Schnitzer	17422	30 Dec. ..	6	21 Jan., 1904.*
Frame, Shop-window	J. Watson	17249	17 Nov. ..	94	10 Dec.
Franking-machine	C. E. Gray and J. S. Tolman	17386	17 Dec. ..	2	7 Jan., 1904.*
Fruit-washing machine	W. C. Braddock	16602	8 July ..	87	12 Nov.
Frying-pan, Splash-protector for	S. Whitburn	17341	7 Dec. ..	10	4 Feb., 1904.
Fuel-briquette	A. J. Cadman	17246	16 Nov. ..	94	10 Dec.*
Fuel-economizer and smoke-preventer	A. L. Applegarth	17108	13 Oct. ..	91	26 Nov.*
Furnace	W. H. Atkin	17214	5 Nov. ..	94	10 Dec.*
Furnace	G. Grondal	17343	9 Dec. ..	2	7 Jan., 1904.
Furnace	G. G. Turri	17418	29 Dec. ..	10	4 Feb., 1904.
Furnace. (See Electric furnace, Ore-furnace.)					
Furnaces, Means for heating	F. J. Shelton	17308	28 Nov. ..	94	10 Dec.*
Furniture. (See Cushioned furniture.)					
Game	D. Booth	17124	21 Oct. ..	91	26 Nov.
Game	F. Newson	17282	19 Nov. ..	94	10 Dec.*
Gas-burner	C. J. Alexander	17219	11 Nov. ..	94	10 Dec.
Gas-generator	W. H. Brooks	17102	15 Oct. ..	87	12 Nov.*
Gas-tap	E. Hinton and F. A. Andrews	17068	6 Oct. ..	84	29 Oct.
Gas, Water-, Manufacture of	W. Gunn	17151	28 Oct. ..	91	26 Nov.
Gate	H. P. Wellman	15962	10 Feb. ..	94	10 Dec.
Gate	F. Lambert	17174	30 Oct. ..	91	26 Nov.*
Gate-adjustment	H. Oliver	17255	14 Nov. ..	94	10 Dec.*
Gate or window guard	J. W. Faulkner	17427	24 Dec. ..		
Gear. (See Speed-gear, Travelling-gear.)					
Generator. (See Acetylene-generator, Vapour-generator.)					
Glazing process, Pipe-	L. Clark	17106	13 Oct. ..	87	12 Nov.*
Gold, Detecting and estimating	J. Moir	17155	28 Oct. ..	91	26 Nov.
Gold-saving vat	A. T. Seldon and H. D. Abbott	17205	2 Nov. ..	91	26 Nov.*
Governor	N. Lombard	17399	18 Dec. ..	6	21 Jan., 1904.
Governor for engine	W. J. N. Harvey	15835	7 Jan. ..	84	29 Oct.
Grain-treating	D. C. Macdonald	17370	14 Dec. ..	2	7 Jan., 1904.
Graphophone reproducer	W. Stokes, jun.	17296	27 Nov. ..	94	10 Dec.*
Guard, gate or window	J. W. Faulkner	17427	24 Dec. ..		
Guide-chute for flax-stripping machinery	R. M. Crosbie	16888	26 Aug. ..	2	7 Jan., 1904.
Gun, Toy	F. Gale, J. K. Gordon, T. A. Parks	17047	1 Oct. ..	84	29 Oct.
Hair-curler	J. Ramsay	17218	10 Nov. ..	91	26 Nov.*
Harness, Backband and shaft-tug for	C. E. James	17176	3 Nov. ..	91	26 Nov.*
Harness, Breeching-strap of	R. and A. T. Burke	17088	9 Oct. ..	94	10 Dec.
Harness saddle	E. Edwards	17093	9 Oct. ..	87	12 Nov.*
Harness, Shaft-tug for	J. Theobald	17351	10 Dec. ..	2	7 Jan., 1904.*
Harrow, Travelling-gear for disc	W. Sutton	17358	8 Dec. ..	2	7 Jan., 1904.*
Hat-support under chair	F. J. Jones	17377	16 Dec. ..	10	4 Feb., 1904.
Hay-stacking elevator	E. Jones	17411	24 Dec. ..	6	21 Jan., 1904.*
Heat, Treating materials by radiated	C. G. P. de Laval	17118	16 Oct. ..	87	12 Nov.
Heater, Water-	H. A. Baux	17066	2 Oct. ..	84	29 Oct.
Heating kitchen-range	F. J. Shelton	17308	28 Nov. ..	94	10 Dec.*
Heel. (See Boot-heel.)					
Heel-compressing machine	United Shoe Machinery Company	15827	5 Jan. ..	84	29 Oct.
Heel-piece for boots, &c.	W. A. Martin	17083	2 Oct. ..	87	12 Nov.*
Hoe	N. Naismith	17142	23 Oct. ..	94	10 Dec.*
Hoe	H. Webster	17243	14 Nov. ..	94	10 Dec.*
Hoe	J. S. Greig and S. A. Ward	17281	23 Nov. ..	2	7 Jan., 1904.
Holder. (See Book-leaf holder, Penholder, Rein-holder, Sash-holder, Tail-holder, Window-sash holder.)					

ALPHABETICAL LIST OF INVENTIONS - continued.

Invention.	Name.	Application.		Gazette.	
		No.	Date.	No.	Date.
Hoof. (See Horse-hoof.)					
Hook. (See Fish-hook, Kettle-hook.)					
Horn-protector	J. Hercus and F. W. Barton ..	17367	10 Dec. ..	2	7 Jan., 1904.*
Horse, Feed-box for	J. A. Easton	17398	18 Dec. ..	2	7 Jan., 1904.*
Horse-hoof expander	A. V. Knapp	17309	1 Dec. ..	94	10 Dec.*
Horse-rug attachment	J. Ellis	15811	24 Dec., 1902	81	15 Oct.
Horse-rug fastening	A. J. Fiske	17013	23 Sept. ..	94	10 Dec.
Horse-shoe	J. Hair	17140	24 Oct. ..	87	12 Nov.*
Horse-shoe fastening	L. J. Barnes	17391	16 Dec. ..	6	21 Jan., 1904.*
Horse-shoe fastening	L. J. Barnes	17392	16 Dec. ..	6	21 Jan., 1904.*
Hose-coupling	J. Marks	17359	8 Dec. ..	2	7 Jan., 1904.*
Hurdle	J. Wilkinson	17238	12 Nov. ..	94	10 Dec.*
Hydrocyanic acid, Manufacture of ..	J. H. Paul	17259	18 Nov. ..	94	10 Dec.
Idle pinion, Means for oiling	E. H. Nankivell	17335	3 Dec. ..	94	10 Dec.
Incubator	J. Harris	17250	17 Nov. ..	94	10 Dec.*
Indicating depth of water under vessel ..	W. F. Slack	17166	29 Oct. ..	91	26 Nov.*
Indicator, Billiard-score	J. A. Manton and C. S. Oakes ..	17381	17 Dec. ..	2	7 Jan., 1904.*
Inner tube for motor car	S. Nicolson	17244	16 Nov. ..	94	10 Dec.*
Insecticide	J. Robinson and A. H. Light ..	17396	18 Dec. ..	2	7 Jan., 1904.*
Insole	Auckland Co-operative Boot and Shoe Company, Limited	17408	24 Dec. ..	10	4 Feb., 1904.*
Instrument, Medical	C. F. Binz	16358	15 May ..	2	7 Jan., 1904.
Ironing-table	H. A. Baux	17065	2 Oct. ..	84	29 Oct.
Iron-ore reducing furnace	G. Grondal	17343	9 Dec. ..	2	7 Jan., 1904.
Iron-ore reducing process	J. H. A. McPhee	17112	15 Oct. ..	87	12 Nov.*
Ironsand, iron-oxides, &c., Reduction of ..	D. R. S. Galbraith and W. Steuart {	15661	18 Nov., 1902	81	15 Oct.
Ironsand, Treatment of	C. F. Lungley	17130	8 Oct. ..	87	12 Nov.
Jack. (See Wheel-jack.)					
Jet spray, Distributing liquids in ..	C. J. White and E. Grove	17137	20 Oct. ..	91	26 Nov.*
Jig-pulley	O. Oldham	17070	6 Oct. ..	84	29 Oct.
Joint. (See Rail-joint.)					
Kauri-gum bag	A. J. McPharlin	17059	3 Oct. ..	84	29 Oct.
Kettle-hook	F. H. Green	15904	26 Jan. ..	94	10 Dec.
Kiln	J. R. Hardy	17123	21 Oct. ..	87	12 Nov.
Kiln	F. J. Jones	17285	28 Nov. ..	94	10 Dec.*
Kitchen-range, Heating	F. J. Shelton	17308	28 Nov. ..	94	10 Dec.*
Knee-pad	W. R. Walker	17290	24 Nov. ..	94	10 Dec.*
Knife, Bootmakers'	J. T. Robinson	17236	11 Nov. ..	94	10 Dec.*
Knife-cleaner	T. Wilkins	16023	25 Feb. ..	2	7 Jan., 1904.
Knife-cleaner	H. Best	17213	6 Nov. ..	2	7 Jan., 1904.
Lamb cutter and tailer	W. J. Standen	17322	2 Dec. ..	94	10 Dec.*
Lamp. (See Electric arc lamp, Vapour-burning lamp.)					
Lamp, Extinguishing	S. White	17111	15 Oct. ..	91	26 Nov.*
Latch-lock	W. Strange and T. Coverdale ..	17119	19 Oct. ..	91	26 Nov.*
Lead-pigment manufacture	E. G. Mills	17043	1 Oct. ..	84	29 Oct.
Leaf. (See Book-leaf holder, Music-leaf turner.)					
Leak in metal vessel, Repairing	A. Hull	17252	17 Nov. ..	94	10 Dec.*
Leather, and process of treating same ..	P. Magnus	16139	26 March ..	84	29 Oct.
Leg-bail and tail-holder	A. Leith	17382	16 Dec. ..	2	7 Jan., 1904.*
Leg-rope for cows	F. J. Ellery	17203	5 Nov. ..	91	26 Nov.*
Life-guard and brake	J. Arnaboldi	17300	24 Nov. ..	94	10 Dec.*
Line. (See Clothes-line.)					
Liner for separator-drum	A. M. Arnberg	17074	7 Oct.
Liner for separator-drum	J. A. Dahlqvist	17190	4 Nov. ..	94	10 Dec.
Link. (See Coupling-link, Dredge-bucket link.)					
Liquids, Concentrating and evaporating ..	M. Ekenberg	17320	3 Dec. ..	2	7 Jan., 1904.
Liquids, Distributing, in jet spray	C. J. White and E. Grove	17137	20 Oct. ..	91	26 Nov.*
Liquids, Distributing, over filter-beds ..	A. Atkins	17135	23 Oct. ..	91	26 Nov.*
Lock. (See Door-lock, Latch-lock, Sash-lock, Sash raiser and lock, Wheel-lock, Window-sash lock.)					
Lock-gate	F. Lambert	17174	30 Oct. ..	91	26 Nov.*
Lock-nut	F. W. Payne	16367	13 May ..	78	1 Oct.
Loose nailing machine	United Shoe Machinery Company	17380	17 Dec. ..	2	7 Jan., 1904.*
Luring birds	J. Webb	16034	26 Feb. ..	2	7 Jan., 1904.
Magnetic separator.. .. .	H. M. Sutton, W. L. and E. G. Steele, and W. Folsetter	15830	5 Jan. ..	81	15 Oct.
Magnetic separator.. .. .	G. Grondal	17344	9 Dec. ..	2	7 Jan., 1904.
Mantle and burner.. .. .	W. W. and M. A. Adam	17222	11 Nov. ..	94	10 Dec.*
Manure-feed	J. Macalister	17116	15 Oct. ..	87	12 Nov.*
Marking-stamp	A. McLeod	17299	25 Nov. ..	94	10 Dec.
Mattress-frame	C. Uddstrom	17265	14 Nov. ..	94	10 Dec.*
Medical instrument	C. F. Binz	16358	15 May ..	2	7 Jan., 1904.
Metallic oxides, smelting method	T. J. Heskett	17393	4 Dec. ..	94	10 Dec.*
Metal-rolling machinery	G. B. Johnson	17223	11 Nov. ..	94	10 Dec.

ALPHABETICAL LIST OF INVENTIONS—*continued.*

Invention.	Name.	Application.		Gazette.	
		No.	Date.	No.	Date.
Metal-separating apparatus	W. N. Turner	17261	18 Nov.	94	10 Dec.
Metals of alkali group, Production of, by electrolysis	E. A. Ashcroft	17181	29 Oct.	94	10 Dec.
Metals, melting method	T. J. Heskett	17333	4 Dec.	94	10 Dec.*
Milk-cans, Securing, in cart	R. G. Warrington	17167	29 Oct.	91	26 Nov.
Milk-sterilisation	N. Bendixen	17132	22 Oct.	87	12 Nov.
Milk-strainer	R. E. James	17196	2 Nov.	91	26 Nov.*
Milk-weighing machine	C. Cooper	17288	25 Nov.	2	7 Jan., 1904.*
Milking-appliance	G. Hutchinson	17078	7 Oct.	84	29 Oct.*
Milking-machine	G. Hutchinson	15894	23 Jan.	91	26 Nov.
Minerals, Concentrating, &c.	B. Waites	17231	12 Nov.	94	10 Dec.
Mirror, Means for pivoting	C. S. Henderson	17262	18 Nov.	94	10 Dec.*
Mitre-box and cramp	A. Levings	17082	1 Oct.	84	29 Oct.*
Mitre-cutter rest	New Zealand Mitre Manufacturing Company, Limited	17301	23 Nov.	94	10 Dec.*
Mitre-joint cutter	R. Wales	17235	11 Nov.	94	10 Dec.*
Motor. (See Water-motor, Wave-motor.)					
Motor car, Inner tube for	S. Nicolson	17244	16 Nov.	94	10 Dec.*
Mounting for rotary scraper	A. E. Watson	17216	6 Nov.	91	26 Nov.*
Music-leaf turner	C. B. Mercer	17113	15 Oct.	87	12 Nov.*
Nailing machine, Loose	United Shoe Machinery Company	17380	17 Dec.	2	7 Jan., 1904.*
Nails, Tool for drawing	W. McLeod	17168	28 Oct.	91	26 Nov.*
Non-refillable bottle	M. R. Green	17189	4 Nov.	91	26 Nov.
Nurling-machine	United Shoe Machinery Company	16229	15 April	94	10 Dec.
Nut. (See Lock-nut.)					
Nut-locking spring washer	R. E. Pennington	17318	3 Dec.	6	21 Jan., 1904.
Oil-emulsion	R. Baxter	17394	17 Dec.	2	7 Jan., 1904.*
Oiling idle pinions and pulleys, Means for	E. H. Nankivell	17335	3 Dec.	94	10 Dec.*
Ointment	H. Jenkins and D. Duncan	17421	29 Dec.	6	21 Jan., 1904.*
Ore. (See Iron-ore.)					
Ore-concentrator	A. E. Warne	16656	15 July	87	12 Nov.
Ore-concentrator	H. L. Sulman and H. F. Kirkpatrick-Picard	17147	28 Oct.	91	26 Nov.
Ore-concentrator	A. E. Cattermole	17148	28 Oct.	91	26 Nov.
Ore-furnace	G. G. Turri	17418	29 Dec.	10	4 Feb., 1904.
Ore, Treating	W. Payne and J. H. Gillies	17188	4 Nov.	91	26 Nov.*
Ore, Treating	M. Moore and T. J. Heskett	17425	30 Dec.	6	21 Jan., 1904.*
Overcoat. (See Coat.)					
Oxides. (See Metallic oxides.)					
Package-receiver. (See Bag and package receiver.)					
Packing-cases, Preventing fraudulent opening of	J. Irvine	17072	6 Oct.	84	29 Oct.*
Packing eggs	A. and F. J. Lawrence	17273	19 Nov.	94	10 Dec.*
Pan. (See Frying-pan.)					
Panel, Device for printing name on glass	H. McC. Sargent and A. Littleproud	17289	24 Nov.	94	10 Dec.*
Parcel-carrier	J. Paterson	15788	17 Dec., 1902	81	15 Oct.
Parcel-carrier for stores	H. Lough	17144	22 Oct.	94	10 Dec.
Parcel-strap	H. Carter and R. T. Paterson	17198	30 Oct.	91	26 Nov.*
Patrol-vessel	A. N. Whitney	17233	10 Nov.	94	10 Dec.*
Peg	T. Morris	15920	27 Jan.	84	29 Oct.
Pegless clothes-line	G. Renner and W. H. Boyens	17063	5 Oct.	84	29 Oct.
Penholder finger-guide	D. McKenzie	15817	30 Dec., 1902	81	15 Oct.
Photographic and stereoscopic apparatus	J. J. and J. A. Miller	17046	1 Oct.	84	29 Oct.
Photographs, Colouring	C. Thomson	17413	24 Dec.	6	21 Jan., 1904.
Pig-yoke	A. Ward	15901	21 Jan.	87	12 Nov.
Pin. (See Traction-engine shoe-pin.)					
Pipe. (See Drainpipe, Tobacco-pipe.)					
Pipe flanging and shaping apparatus	L. Clark	17105	13 Oct.	87	12 Nov.*
Pipe-glazing process	L. Clark	17106	13 Oct.	87	12 Nov.
Pipes, Burning	R. O. Clark, jun.	17183	30 Oct.	91	26 Nov.*
Pipes, Flanging, socketing, and shaping	R. O. Clark, jun.	17182	30 Oct.	91	26 Nov.*
Pipes of refrigerator, Means of cleaning	R. S. Watson	17313	2 Dec.	94	10 Dec.*
Pivoting mirror	C. S. Henderson	17262	18 Nov.	94	10 Dec.*
Plant-protector from slugs	G. Foster	17307	25 Nov.	94	10 Dec.*
Plant-thinner	D. Clark	16015	19 Feb.	94	10 Dec.
Plough. (See Ditch-plough, Drain-plough.)					
Plough	M. J. Dixon	17200	2 Nov.	91	26 Nov.*
Plough attachment	T. W. Denton	17340	7 Dec.	94	10 Dec.*
Plough for cutting tussocks, &c.	E. J. Wilson	17077	7 Oct.	84	29 Oct.*
Plough, Reversible	E. J. Wilson	17103	15 Oct.	87	12 Nov.
Plough-scoop	R. L. Christie	17325	28 Nov.	94	10 Dec.*
Pneumatic despatch-carrier	Lamson Store Service Company, Limited	17269	19 Nov.	94	10 Dec.
Pneumatic spring	J. R. Hayne	17048	1 Oct.	84	29 Oct.*
Pneumatic-tube despatch system	Lamson Store Service Company, Limited	17193	4 Nov.	2	7 Jan., 1904.
Pneumatic-tube despatch system, Receiving-terminal for	Lamson Store Service Company, Limited	17195	4 Nov.	2	7 Jan., 1904.
Poison, Apparatus for luring birds to	J. Webb	16034	26 Feb.	2	7 Jan., 1904.

ALPHABETICAL LIST OF INVENTIONS--continued.

Invention.	Name.	Application.		Gazette.	
		No.	Date.	No.	Date.
Poisoning rabbits	M. McCarthy	17364	9 Dec.	6	21 Jan., 1904.*
Polish, Machine for spreading on floor- ..	J. Stewart	17373	11 Dec.	2	7 Jan., 1904.*
Polishing boots	A. Parker	17071	6 Oct.	84	29 Oct.*
Polishing machine, Boot-	C. D. Lightband	17387	17 Dec.	2	7 Jan., 1904.*
Portable boiler	J. Bates	16661	18 July	81	15 Oct.
Potato-planting attachment to ploughs ..	T. W. Denton	17340	7 Dec.	94	10 Dec.*
Press	A. Baker	17225	11 Nov.	91	26 Nov.*
Press, Cheese-	J. C. Henderson, W. J. Anderson, and E. S. Burman	16793	13 Aug.	91	26 Nov.
Pressing garments, Steam-box for	P. R. Sargood and J. B. Holt	17201	2 Nov.	91	26 Nov.
Pressure-press for stone blocks	R. W. England and F. Lucas	17170	27 Oct.	91	26 Nov.*
Printer. (See Butter-printer.)					
Printing-machine, Sheep-bag	D. Urquhart	15891	20 Jan.	87	12 Nov.
Printing name on glass	H. M. Sargent and A. Littleproud	17289	24 Nov.	94	10 Dec.*
Projector-machine	N. R. Gordon	17317	3 Dec.	94	10 Dec.*
Propellor	K. K. Parkerson	17275	18 Nov.	94	10 Dec.*
Protector. (See Dredge-bucket protector, Horn-protector, Plant-protector, Splash- protector, Toe-protector.)					
Pulley. (See Idle pinion and pulley, Jig- pulley.)					
Rabbits, Destroying	B. Parker	15985	13 Feb.	94	10 Dec.
Rabbits, &c., Destroying	B. Parker	17234	10 Nov.	94	10 Dec.
Rabbits, Poisoning	M. McCarthy	17364	9 Dec.	6	21 Jan., 1904.*
Rabbits, Trapping, method	M. D. Synnot	17357	8 Dec.	2	7 Jan., 1904.
Race-starting machine	J. A. Winten	17426	30 Dec.
Raft	H. Williams	15934	2 Feb.	91	26 Nov.
Raft	T. J. Ross	17107	16 Oct.	91	26 Nov.*
Rail-joint	T. Wilson and I. Grammer	17271	19 Nov.	94	10 Dec.*
Rail-joint	A. Miller and F. W. Barton	17274	18 Nov.	94	10 Dec.*
Rail-joint	J. S. Sleight	17326	5 Dec.	94	10 Dec.*
Railway anti-friction mechanism	J. E. Cooper	17154	28 Oct.	91	26 Nov.
Railway coupling	A. J. Knapp	17178	3 Nov.	91	26 Nov.*
Railway traction	D. W. Balch	15826	5 Jan.	94	10 Dec.
Rain-excluder for doors	A. Parker	16376	19 May	81	15 Oct.
Rain-excluder for doors	E. A. G. Hamlin	17095, 6, 7	13 Oct.	87	12 Nov.*
Rain-water separator	E. Purser	17162	27 Oct.	91	26 Nov.*
Raising sunken vessels	E. Veron	17133	22 Oct.	91	26 Nov.*
Range. (See Kitchen-range.)					
Receiver. (See Bag and package receiver.) ..					
Receiving-terminal for pneumatic-tube despatch	Lamson Store Service Company, Limited	17195	4 Nov.	2	7 Jan., 1904.
Recording votes	F. W. Paterson	17199	30 Oct.	91	26 Nov.*
Refrigerating-apparatus, Means for clean- ing pipes of	R. S. Watson	17313	2 Dec.	94	10 Dec.*
Refrigerating machinery	G. Nelson	17376	15 Dec.	6	21 Jan., 1904
Rein-holder and wheel-lock	C. J. Tully	17128	22 Oct.	91	26 Nov.
Rein-holder and wheel-lock	C. J. Tully	17129	22 Oct.	91	26 Nov.
Repairing cover of tire	G. H. Fowler	17127	21 Oct.	87	12 Nov.*
Repairing leak in metal vessel	A. Hull	17252	17 Nov.	94	10 Dec.*
Reproducer of graphophone	W. Stokes, jun.	17296	27 Nov.	94	10 Dec.*
Rest. (See Billiard-rest, Mitre-cutter rest.) ..					
Retort	A. J. Cadman	17245	16 Nov.	94	10 Dec.*
Ribber for flax-stripper	J. Dunbar	17347	4 Dec.	2	7 Jan., 1904.
Ridging-machine	J. Macalister	17115	15 Oct.	87	12 Nov.*
Rim. (See Wheel-rim.)					
Rivet-cutting tool	S. S. Beer	17215	6 Nov.	91	26 Nov.*
Road-making method	L. S. Van Westrum	17342	9 Dec.	2	7 Jan., 1904.
Road-sprinkler	L. S. Van Westrum	17260	18 Nov.	94	10 Dec.
Rod for wheel	A. McDonald and A. R. Stedman	17099	10 Oct.	87	12 Nov.*
Roller blind, Controlling	Tye and Co. Proprietary, Limited	17220	11 Nov.	91	26 Nov.*
Roller, Trolley-arm	B. R. Garrett	17311	28 Nov.	94	10 Dec.*
Rolling sheet-metal strips, Machine for ..	G. B. Johnson	17223	11 Nov.	94	10 Dec.
Roof-gutter covering	W. E. Bendall	17248	17 Nov.
Rope buckle	J. Morgan	17272	20 Nov.	2	7 Jan., 1904.
Rotary scraper, Mounting for	A. E. Watson	17216	6 Nov.	91	26 Nov.*
Rotating parts, Supporting and driving device for	O. Ohl-son	17229	12 Nov.	94	10 Dec.
Rowlock	J. A. Jagers	17253	17 Nov.	94	10 Dec.*
Rug. (See Horse-rug.)					
Saddle	J. I. Knight and J. H. Love	17204	2 Nov.	91	26 Nov.*
Saddle, Harness	E. Edwards	17093	9 Oct.	87	12 Nov.*
Sandal	O. Petersen	17304	26 Nov.	94	10 Dec.*
Sash. (See also Window.)					
Sash-balance	G. W. Basley	17145	19 Oct.	91	26 Nov.*
Sash-fastener	J. M. Macintosh	16372	19 May	2	7 Jan., 1904.
Sash-grip	E. A. G. Hamlin	17310	1 Dec.
Sash hanger and lock	A. Curwood and J. Harrison	17084	1 Oct.	87	12 Nov.
Sash holder and suspender	A. S. Coronel	17383	17 Dec.	6	21 Jan., 1904.*
Sash raiser and lock	A. L. Hewton	17305	25 Nov.	94	10 Dec.*
Sash-regulator	F. L. Davis	16648	17 July	2	7 Jan., 1904.

ALPHABETICAL LIST OF INVENTIONS—continued.

Invention.	Name.	Application.		Gazette.	
		No.	Date.	No.	Date.
Scales, Tare beam	W. Riddell	17165	21 Oct.	91	26 Nov.
Sconce. (See Candlestick-sconce.)					
Scoop. (See Dray-scoop, Earth-scoop, Plough-scoop.)					
Score of game, Indicating	J. A. Manton and C. S. Oakes	17381	17 Dec.	2	7 Jan., 1904.*
Screen, Gravel-sifting	M. G. Baker and L. C. Anderson	17080	2 Oct.	87	12 Nov.
Scribing-tool	D. M. Barnett	17101	15 Oct.	87	12 Nov.*
Scutching flax	G. I. Lowe	17371	15 Dec.	2	7 Jan., 1904.*
Seed-sower	P. F. A. and J. Robertson	15550	16 Oct., 1902	81	15 Oct.
Seed-sower	H. Kerr and J. Woodhead	17368	10 Dec.	2	7 Jan., 1904.*
Separating metals	W. N. Turner	17261	18 Nov.	94	10 Dec.
Separator. (See Centrifugal separator, Cream-separator, Magnetic separator, Rain-water separator.)					
Shackle and snatch-block	A. J. Park	17323	2 Dec.	94	10 Dec.*
Shaft-bearing	C. L. Holm	17294	26 Nov.	2	7 Jan., 1904.
Shaft-tug for harness	C. E. James	17176	3 Nov.	91	26 Nov.*
Shaft-tug for harness	J. Theobald	17351	10 Dec.	2	7 Jan., 1904.*
Sheep-bag printing-machine	D. Urquhart	15891	20 Jan.	87	12 Nov.
Sheep-dip	S. E. Denniston	15992	13 Feb.	87	12 Nov.
Sheep-dip	S. E. Denniston	17406	23 Dec.	6	21 Jan., 1904.*
Sheet-metal piping, Manufacturing	T. C. Hement	17388	17 Dec.	10	4 Feb., 1904.*
Sheet-metal strips, Rolling	G. B. Johnson	17223	11 Nov.	94	10 Dec.
Ships, Stopping	C. H. Knowles and F. W. Taylor	17362	11 Dec.	2	7 Jan., 1904.*
Ship's ventilator	T. Q. East	16225	14 April	2	7 Jan., 1904.
Shirt-ironing table	H. A. Baux	17065	2 Oct.	84	29 Oct.
Shoe. (See Boot.)					
Shoe. (See Dredge-bucket link-shoe, Horse-shoe.)					
Shop-window frame	J. Watson	17249	17 Nov.	94	10 Dec.
Shortbread-crimper, &c.	S. Scott	17090	9 Oct.	87	12 Nov.*
Sifting screen, Gravel-	M. G. Baker and L. C. Anderson	17080	2 Oct.	87	12 Nov.
Silencer for engine	B. Crawford	15882	15 Jan.	84	29 Oct.
Silencer for vehicle-motors	J. H. Suckling and W. H. Marshall	17055	1 Oct.	84	29 Oct.
Sinking well	J. W. Thomas and C. O. McCutcheon	17254	16 Nov.	94	10 Dec.*
Skewer	W. J. Sellars	17379	16 Dec.	2	7 Jan., 1904.*
Slime-filtering apparatus	G. S. Duncan	17158	29 Oct.	91	26 Nov.*
Slugs, Device for protecting plants from	G. Foster	17307	25 Nov.	94	10 Dec.*
Smelting methods	T. J. Heskett	17333	4 Dec.	94	10 Dec.*
Smoke-prevention	A. L. Applegarth	17108	13 Oct.	91	26 Nov.*
Snails, Device for protecting plants from	G. Foster	17307	25 Nov.	94	10 Dec.*
Snatch-block and shackle	A. J. Park	17323	2 Dec.	94	10 Dec.*
Sock	J. Glossop	17393	17 Dec.	2	7 Jan., 1904.*
Sole of boot, &c.	W. Hooke and F. B. Mabin	17120	20 Oct.	91	26 Nov.*
Sower. (See Seed-sower.)					
Spanner	W. Stock and C. D. Kennedy	17110	15 Oct.	84	29 Oct.
Spark-arrester	G. Butel	17138	24 Oct.	91	26 Nov.*
Speed gear	A. C. F. Dann	17044	1 Oct.	84	29 Oct.
Spile	W. J. Sellars	17379	16 Dec.	2	7 Jan., 1904.
Splash-protector for frying-pan	S. Whitburn	17341	7 Dec.	10	4 Feb., 1904.
Spreader, Clasp for trace-	J. Holms, jun.	17237	12 Nov.	2	7 Jan., 1904.*
Spring. (See Pneumatic spring.)					
Spring for couch, &c.	W. Hood	17346	7 Dec.	2	7 Jan., 1904.*
Sprinkling roads	L. S. Van Westrum	17260	18 Nov.	94	10 Dec.
Stacking hay, Elevator for	E. Jones	17411	24 Dec.	6	21 Jan., 1904.*
Stamp. (See Marking-stamp.)					
Stamping and franking machine	C. E. Gray and J. S. Tolman	17386	17 Dec.	2	7 Jan., 1904.*
Stand. (See Dress-stand.)					
Standard. (See Fencing-standard, Wire standard.)					
Staple-drawing tool	W. McLeod	17168	28 Oct.	91	26 Nov.*
Starching-machine	H. A. Baux	17173	26 Oct.	91	26 Nov.
Steam-box for pressing garments	P. R. Sargood and J. B. Holt	17201	2 Nov.	91	26 Nov.
Steam-engine	J. and A. Fraser	17060	3 Oct.	84	29 Oct.,
Stereoscopic and phonographic apparatus	J. J. and J. A. Miller	17046	1 Oct.	84	29 Oct.
Stereotype matrices	J. C. Bonneau	17192	4 Nov.	91	26 Nov.
Steriliser, Bonedust-	W. Barnsdale	16300	14 Aug.	2	7 Jan., 1904.
Sterilising bones, &c.	J. A. Pond	17136	20 Oct.	87	12 Nov.
Sterilising milk	N. Bendixen	17132	22 Oct.	87	12 Nov.
Stirrup-iron	N. Wilson, jun.	17239	16 Nov.	94	10 Dec.
Stone. (See Artificial stone.)					
Stopper, Bottle-	H. R. Bell	14743	15 April, 1902	94	10 Dec.
Stopping ships	C. H. Knowles and F. W. Taylor	17362	11 Dec.	2	7 Jan., 1904.*
Strainer. (See Milk-strainer, Wire-strainer.)					
Strap, Parcel-	H. Carter and R. T. Paterson	17198	30 Oct.	91	26 Nov.*
Strengthening disc harrow	W. Sutton	17358	8 Dec.	2	7 Jan., 1904.*
Submerged vessel, Passing line under	W. J. and H. G. Cummings, R. Chamberlain, and J. W. Abernethy	17191	4 Nov.	91	26 Nov.
Sugar, Inversion of	W. E. C. Hoadley	17345	9 Dec.	2	7 Jan., 1904.*
Sunken vessel, Raising	E. Veron	17133	22 Oct.	91	26 Nov.*
Supply and discharge of cistern	W. J. Hardy and T. I. Wright	17306	25 Nov.	94	10 Dec.*
Supporting-device for rotating parts	O. Ohlsson	17229	12 Nov.	94	10 Dec.
Supporting hat under chair	F. J. Jones	17377	16 Dec.

ALPHABETICAL LIST OF INVENTIONS—continued.

Invention.	Name.	Application.		Gazette.	
		No.	Date.	No.	Date.
Table, Ironing-	H. A. Baux	17065	2 Oct. ..	84	29 Oct.
Tablet, Washing-	J. C. Williams	17277	21 Nov. ..	94	10 Dec.*
Tail-board of tip dray	J. Kemp	17064	5 Oct. ..	84	29 Oct.
Tailer. (See Lamb-tailer.)					
Tail-holder and leg-bail	A. Leith	17382	16 Dec. ..	2	7 Jan., 1904.*
Tailors' press	A. Baker	17225	11 Nov. ..	91	26 Nov.*
Tank and cooling-chamber	J. Petford	17298	24 Nov. ..	10	4 Feb., 1904.*
Tank-cleaning overflow	R. W. Ashcroft	17185	10 Nov. ..	94	10 Dec.
Tap	J. Ramage	17169	27 Oct. ..	2	7 Jan., 1904.
Tap	H. S. Woolcott	17263	18 Nov. ..	94	10 Dec.*
Tap, Gas-	E. Hinton and F. A. Andrews	17068	6 Oct. ..	84	29 Oct.
Tap, Water-	C. M. Cruickshank	16765	7 Aug. ..	91	26 Nov.
Tar, Dipping wood blocks in	R. S. Rounthwaite	17375	15 Dec. ..	2	7 Jan., 1904.*
Tare beam scales	W. Riddell	17165	21 Oct. ..	91	26 Nov.
Target	A. J. Nicholas	17407	23 Dec. ..	6	21 Jan., 1904.*
Therapeutic apparatus	A. P. Richmond	17267	19 Nov. ..	2	7 Jan., 1904.
Thinner. (See Plant-thinner, Turnip-thinner.)					
Threshing-machine	W. Andrews and A. W. Beaven	17211	5 Nov. ..	91	26 Nov.*
Throw-erank for cycle	J. Ritscher	17363	11 Dec. ..	2	7 Jan., 1904.*
Timber-drying kiln	F. J. Jones	17285	28 Nov. ..	94	10 Dec.*
Time service, Electric	A. Knox	17210	3 Nov. ..	94	10 Dec.
Tip dray, Tailboard of	J. Kemp	17064	5 Oct. ..	84	29 Oct.
Tip of billiard-cue	H. L. Greer and T. Colman	17331	5 Dec. ..	94	10 Dec.*
Tire-cover	E. Waters, jun.	17356	8 Dec. ..	2	7 Jan., 1904.*
Tire-cover	H. Lightband	17428	31 Dec. ..	10	4 Feb., 1904.*
Tire-cover repairer	G. H. Fowler	17127	21 Oct. ..	87	12 Nov.*
Tire, Inner tube for	S. Nicolson	17244	16 Nov. ..	94	10 Dec.*
Tobacco-cutter	T. Wilkins	17045	1 Oct. ..	84	29 Oct.*
Tobacco-pipe	H. E. J. Morgan	16055	6 March ..	2	7 Jan., 1904.
Toe-protector for boots, &c.	R. Collins	16393	28 May ..	2	7 Jan., 1904.
Tool. (See Scribing-tool.)					
Tool for cutting rivets	S. S. Beer	17215	6 Nov. ..	91	26 Nov.*
Tool for drawing nails, &c.	W. McLeod	17168	28 Oct. ..	91	26 Nov.*
Tooth-brush	H. E. Crease	17415	23 Dec. ..	6	21 Jan., 1904.
Toy gun	F. Gale, J. K. Gordon, and T. A. Parks	17047	1 Oct. ..	84	29 Oct.
Trace-spreader	J. Holms, jun.	17237	12 Nov. ..	2	7 Jan., 1904.*
Traction-engine shoe-pin	R. Holland	17276	22 Nov. ..	94	10 Dec.*
Tram-car life-guard and brake	J. Arnaboldi	17300	24 Nov. ..	94	10 Dec.
Transmitting cash, &c.	H. Lough	17144	22 Oct. ..	94	10 Dec.
Trap. (See Animal-trap.)					
Trapping. (See Rabbits, Trapping.)					
Travelling-gear for disc harrow	W. Sutton	17358	8 Dec. ..	2	7 Jan., 1904.*
Trolley-arm roller	B. R. Garrett	17311	28 Nov. ..	94	10 Dec.*
Trough	W. J. James	17241	16 Nov. ..	94	10 Dec.*
Truing up beater-drum of flax-stripper	J. P. Andrews and J. Anderson	17339	8 Dec. ..	2	7 Jan., 1904.
Truss	W. S. Rice	17230	12 Nov. ..	94	10 Dec.
Tube. (See Pneumatic tube.)					
Tubes, Machine for bending	Lamson Store Service Company, Limited	17193	4 Nov. ..	2	7 Jan., 1904.
Turbine, Fluid-pressure	J. P. Campbell	17153	28 Oct. ..	91	26 Nov.
Turbine, Fluid-pressure	W. E. Hughes	17424	30 Dec.
Turner. (See Music-leaf turner.)					
Turnip-thinner	A. Storrie	17280	23 Nov. ..	94	10 Dec.*
Tying flax	C. Lyford	17073	7 Oct. ..	84	29 Oct.*
Tyre, Inner tube for	S. Nicolson	17244	16 Nov. ..	94	10 Dec.*
Valve	J. Tagell	17208	5 Nov. ..	91	26 Nov.*
Valve	J. Cook	17316	2 Dec. ..	6	21 Jan., 1904.
Valve mechanism	T. H. Alexander	17266	19 Nov. ..	2	7 Jan., 1904.
Valve movement	H. R. Worthington	17354	10 Dec. ..	2	7 Jan., 1904.
Vapour-burning lamp	F. J. Mahoney and C. Casimir	16406	27 May ..	81	15 Oct.
Vapour-generator	The Flameless Gaslight Company, Limited	17419	29 Dec. ..	6	21 Jan., 1904.
Variable-speed gear	A. C. F. Dann	17044	1 Oct. ..	84	29 Oct.
Vat, Gold-saving	A. T. Seldon and H. D. Abbott	17205	2 Nov. ..	91	26 Nov.*
Vehicle-wheel	P. and D. Duncan, Limited	17257	16 Nov. ..	94	10 Dec.*
Vending-machine	L. B. Horrocks	17303	27 Nov. ..	94	10 Dec.*
Venetian-blind	J. D. Leach	17122	20 Oct. ..	87	12 Nov.*
Venetian-blind	S. P. Clements	17146	27 Oct. ..	91	26 Nov.*
Venetian-blind	H. Allen	17327	5 Dec. ..	6	21 Jan., 1904.
Ventilating-window	J. H. Gay	17336	3 Dec. ..	94	10 Dec.*
Ventilator	S. H. Jacobson	16512	20 June, 1902	78	1 Oct.†
Ventilator, Ship's	T. Q. East	16225	14 April ..	2	7 Jan., 1904.
Vermin. (See Animals, Rabbits.)					
Vessel	A. N. Whitney	17233	10 Nov. ..	94	10 Dec.*
Vessel, Indicating depth of water under	W. F. Slack	17166	29 Oct. ..	91	26 Nov.*
Vessel, Passing line under sunken	W. J. and H. G. Cummings, R. Chamberlain, and J. W. Abernethy	17191	4 Nov. ..	91	26 Nov.
Vessel-propellor	R. K. Parkerson	17275	18 Nov. ..	94	10 Dec.
Vessel, Raising sunken	E. Veron	17133	22 Oct. ..	91	26 Nov.*
Vessels, Speedily stopping	C. H. Knowles and F. W. Taylor	17362	11 Dec. ..	2	7 Jan., 1904.*
Vote-recorder	F. W. Paterson	17199	30 Oct. ..	91	26 Nov.*

ALPHABETICAL LIST OF INVENTIONS—*continued.*

Invention.	Name.	Application.		Gazette.	
		No.	Date.	No.	Date.
Wagon	W. J. O'Hara	17172	27 Oct. ..	91	26 Nov.*
Wall-covering	J. R. Watt	17389	7 Oct. ..	2	7 Jan., 1904.
Warming food	H. Schnitzer	17422	30 Dec. ..	6	21 Jan., 1904.*
Washer, Nut-locking spring	R. E. Pennington	17318	3 Dec. ..	6	21 Jan., 1904.
Washing-boiler	L. Frame	17278	19 Nov. ..	2	7 Jan., 1904.*
Washing-machine	S. J. Osmond	16285	30 April ..	91	26 Nov.
Washing machine	G. A. W. Alexander	17149	28 Oct. ..	91	26 Nov.
Washing-machine	C. Butler	17338	3 Dec. ..	94	10 Dec.*
Washing-machine, Flax-	W. and A. Ross	17412	24 Dec. ..	6	21 Jan., 1904.
Washing-tablet	J. C. Williams	17277	21 Nov. ..	94	10 Dec.*
Water-cistern	T. W. May	17291	23 Nov. ..	94	10 Dec.*
Water-cistern, Ball valve for	J. Cook	17316	2 Dec. ..	6	21 Jan., 1904.
Water-gas, Manufacture of	W. Gunn	17151	28 Oct. ..	91	26 Nov.
Water-heater	H. A. Baux	17066	2 Oct. ..	84	29 Oct.
Water, Heating and circulating	E. Buckland	17171	27 Oct. ..	91	26 Nov.*
Water, Indicating depth of, under vessel	W. F. Slack	17166	29 Oct. ..	91	26 Nov.*
Water-motor	R. K. Parkerson	17275	18 Nov. ..	94	10 Dec.*
Water, Roof and rain, separating machine	E. Purser	17162	27 Oct. ..	91	26 Nov.*
Water-tank and cooling-chamber	J. Petford	17298	24 Nov. ..	10	4 Feb., 1904.*
Water-tap	C. M. Cruickshank	16765	7 Aug. ..	91	26 Nov.
Wave-motor	J. Purdie	17175	2 Nov. ..	91	26 Nov.*
Weighing-machine	C. Cooper	17288	25 Nov. ..	6	21 Jan., 1904.
Well-sinking	J. W. Thomas and C. O. McCutcheon	17254	16 Nov. ..	94	10 Dec.*
Wheel	P. and D. Duncan, Limited	17257	16 Nov. ..	94	10 Dec.*
Wheel-jack	D. Dunn	17058	2 Oct.
Wheel-lock	J. R. Flanagan	17117	17 Oct. ..	94	10 Dec.*
Wheel-lock and rein-holder	C. J. Tully	17123
Wheel-lock and rein-holder	C. J. Tully	17129	22 Oct. ..	91	26 Nov.
Wheel-rim	E. A. Rossiter	17186	4 Nov.
Wheel, Rod for	A. McDonald and S. R. Stedman	17099	10 Oct. ..	87	12 Nov.*
Whiffletree	W. H. Crafer	17403	23 Dec. ..	6	21 Jan., 1904.
Whisk and churner	C. J. Painter	17121	20 Oct. ..	91	26 Nov.*
White-lead, Manufacturing	E. G. Mills	17043	1 Oct. ..	84	29 Oct.*
Window. (See also Sash.)
Window, Anti-rattling	L. B. Horrocks	17409	24 Dec. ..	6	21 Jan., 1904.*
Window attachment, Anti-rattling	H. Agar	16045	4 March ..	2	7 Jan., 1904.
Window-frame. (See Shop-window frame.)
Window-guard	J. W. Faulkner	17427	24 Dec.
Window-sash	O. A. Jorgensen and L. A. Needham	17089	9 Oct. ..	87	12 Nov.*
Window-sash holder	E. G. Abell	17156	29 Oct. ..	91	26 Nov.
Window-sash lock	J. Wiseman	17293	26 Nov. ..	94	10 Dec.*
Window-sash operator and retainer	W. Goodwin	17329	5 Dec. ..	2	7 Jan., 1904.
Window-sash raiser, lowerer, and retainer	C. A. Bergersen	17104	15 Oct. ..	87	12 Nov.*
Window-sash retainer and lock	A. M. Bauckham	17217	10 Nov. ..	91	26 Nov.*
Window, Ventilating-	J. H. Gay	17336	3 Dec. ..	94	10 Dec.*
Wire. (See Fencing-wire.)
Wire cutter, twister, and winder	J. and T. R. Christie	17324	2 Dec. ..	94	10 Dec.*
Wire standard	W. White	17087	22 Nov. ..	94	10 Dec.*
Wire-strainer	J. C. Davidson	17143	20 Oct. ..	91	26 Nov.*
Wire-strainer	W. T. Earl	17361	11 Dec. ..	2	7 Jan., 1904.*
Wire-strainer	J. and T. R. Christie	17374	12 Dec. ..	2	7 Jan., 1904.*
Wire-winder and unwinder	C. G. Gamble	16635	14 July ..	2	7 Jan., 1904.
Wire-woven-mattress frame	C. Uddstrom	17265	14 Nov. ..	94	10 Dec.*
Wood blocks, Dipping, in tar	R. S. Rounthwaite	17375	15 Dec. ..	2	7 Jan., 1904.*
Wrapper	J. Miller	16733	16 Dec. ..	2	7 Jan., 1904.
Wrench	W. Stock and C. D. Kennedy	17110	15 Oct. ..	84	29 Oct.
Yoke, Pig-	A. Ward	15901	21 Jan. ..	87	12 Nov.

List of Applicants for Registration of Designs.

A LPHABETICAL list of applicants for registration of designs during quarter ending 31st December, 1903.

Name and Address.	No. of Class.	Design.		Gazette.	
		No.	Date.	No.	Date.
Alcock and Co., Melbourne, Vic.	3	194	1 Oct. ..	81	15 Oct.
Brett Printing and Publishing Company, Limited, The, Auckland, N.Z.	5	197	10 Dec. ..	2	7 Jan., 1904.
Hair, J., Oamaru, N.Z.	1	198	16 Nov. ..	10	4 Feb., 1904.
O'Connor and Tydeman, Palmerston North, N.Z.	2	195	12 Oct. ..	84	29 Oct.
Thomlinson, C. R., Launceston, Tasmania	5	196	15 Oct. ..	87	12 Nov.

List of Applicants for Registration of Trade Marks.

ALPHABETICAL list of applicants for registration of trade marks for quarter ending 31st December, 1903 (including also applications lodged prior to but gazetted during such quarter).

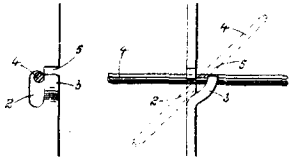
Name.	Address.	Class.	Application.		Gazette.	
			No.	Date.	No.	Date.
Adams and Sons, Limited, G.	Wolverhampton, Eng.	5	4449	15 Nov.	91	26 Nov.
Aeolian Company, The	New York, U.S.A.	9	4445	13 Nov.	91	26 Nov.
Aeolian Company, The	New York, U.S.A.	9	4446	13 Nov.	91	26 Nov.
Auckland Co-operative Boot and Shoe Company, Limited, The	Auckland, N.Z.	38	4490	24 Dec.	2	7 Jan., 1904.
Austral-American Mercantile Company, Limited, The	Sydney, N.S.W.	48	4412	8 Oct.	91	26 Nov.
Awahuri Dairy Factory Company, Limited, The	Awahuri and Palmerston North, N.Z.	42	4486	21 Dec.	2	7 Jan., 1904.
Barclay, Perkins, and Co., Limited	London, Eng.	43	4480	14 Dec.
Bell and Co. (See J. Bell and E. W. I. Collins.)						
Bell, J., and another	Palmerston North, N.Z.	47	4416	13 Oct.	10	4 Feb., 1904.
Bile Bean Manufacturing Company, The	Leeds, Eng.	3	4438	4 Nov.	87	12 Nov.
Bile Bean Manufacturing Company, The	Leeds, Eng.	3	4439	4 Nov.	87	12 Nov.
Bills, C.	Dunedin, N.Z.	41	4432	24 Oct.	87	12 Nov.
Bock and Co., P.	Auckland, N.Z.	3	4476	10 Dec.
Brown, I.	Hokitika, N.Z.	22	4462	2 Dec.	6	21 Jan., 1904.
Buchanan and Co., J. (See J. Buchanan.)						
Buchanan, J.	London, Eng.	43	4406	7 Oct.	84	29 Oct.
Buchanan, J.	London, Eng.	43	4407	7 Oct.
Burrell and Co., D. H.	Little Falls, U.S.A.	8	4204	18 May	78	1 Oct.
Butler, A. S.	London, Eng.	48	4467	7 Dec.	2	7 Jan., 1904.
Central Cyclone Company, Limited, The	London, Eng.	6	4481	14 Dec.	2	7 Jan., 1904.
Clipper Pneumatic Tire Company, Limited, The	Coventry, Eng.	40	4030	17 Dec., 1902	87	12 Nov.
Collins, E. W. I., and another	Palmerston North, N.Z.	42	4416	13 Oct.	10	4 Feb., 1904.
Cooper, F. J.	Auckland, N.Z.	3	4484	18 Dec.	2	7 Jan., 1904.
Corn-products Company, The	New York, U.S.A.	42	4468	7 Dec.	94	10 Dec.
Covent Garden Company, Limited, The	Dunedin, N.Z.	42	4417	15 Oct.
Crozier, D., and another	Auckland, N.Z.	22	4441	10 Nov.	91	26 Nov.
Crozier, D., and another	Auckland, N.Z.	22	4465	5 Dec.	94	10 Dec.
Dent and Co., C. S.	London, Eng.	3	4497	30 Dec.	6	21 Jan., 1904.
Denver Chemical Manufacturing Company, The	New York, U.S.A., and London, Eng.	3	4495	29 Dec.	6	21 Jan., 1904.
Dexter and Crozier. (See R. A. Dexter and D. Crozier.)						
Dexter, R. A., and another	Auckland, N.Z.	22	4441	10 Nov.	91	26 Nov.
Dexter, R. A., and another	Auckland, N.Z.	22	4465	5 Dec.	94	10 Dec.
Dudgeon and Arnell Proprietary, Limited	Melbourne, Vic.	45	4422	15 Oct.	84	29 Oct.
Dudgeon and Arnell Proprietary, Limited	Melbourne, Vic.	45	4423	15 Oct.	84	29 Oct.
Dutton and Co.	Auckland, N.Z.	42	4475	9 Dec.	2	7 Jan., 1904.
Dutton, E., and another	Auckland, N.Z.	3	4403	3 Oct.	84	29 Oct.
Dutton, E., and another	Auckland, N.Z.	3	4426	20 Oct.	84	29 Oct.
Dutton, R. A., and another	Auckland, N.Z.	3	4403	3 Oct.	84	29 Oct.
Dutton, R. A., and another	Auckland, N.Z.	3	4426	20 Oct.	84	29 Oct.
Evans, S. J.	Dunedin, N.Z.	3	4427	21 Oct.	91	26 Nov.
Ferguson and Co., J.	Glasgow, Scotland, and Melbourne, Vic.	43	4411	8 Oct.	84	29 Oct.
Fletcher, C.	Wellington, N.Z.	3	4429	23 Oct.	87	12 Nov.
Fletcher, C.	Wellington, N.Z.	3	4430	23 Oct.	87	12 Nov.
Fresh Food and Ice Company, The. (See McNeill Bros.)						
Gavin, Gibson, and Co.	Melbourne, Vic.	38	4414	13 Oct.
Gavin, Gibson, and Co.	Melbourne, Vic.	38	4415	13 Oct.
Gavin, Gibson, and Co.	Melbourne, Vic.	38	4457	26 Nov.
Goodwin and Phelan	Wellington, N.Z.	22	4498	30 Dec.
Grett, J.	Christchurch, N.Z.	42	4452	18 Nov.	91	26 Nov.
Grove, E.	Palmerston North, N.Z.	42	4488	22 Dec.
Hardie and Co., J.	Sydney, N.S.W., and Melbourne, Vic.	17	4437	4 Nov.
Hatton and Co., J. (See J. Hatton.)						
Hatton, J.	Dunedin, N.Z.	42	4487	21 Dec.	6	21 Jan., 1904.
Heather and Co., W. H. (See W. H. N. and V. J. Heather.)						
Heather, V. J., and another	Auckland, N.Z.	43	4493	29 Dec.
Heather, V. J., and another	Auckland, N.Z.	43	4494	29 Dec.
Heather, W. H. N., and another	Auckland, N.Z.	43	4493	29 Dec.
Heather, W. H. N., and another	Auckland, N.Z.	43	4494	29 Dec.
Holland and Son, J. L. (See J. L. Holland.)						
Holland, J. L.	Auckland, N.Z.	1	4482	14 Dec.
Hollins and Co., Limited, W.	Mansfield, Nottingham, and London, Eng.	33	4473	9 Dec.	2	7 Jan., 1904.
Hollins and Co., Limited, W.	Mansfield, Nottingham, and London, Eng.	38	4474	9 Dec.	2	7 Jan., 1904.
Hughes, G. H.	London, Eng.	42	4463	2 Dec.	94	10 Dec.

ALPHABETICAL LIST OF APPLICANTS FOR REGISTRATION OF TRADE MARKS—continued.

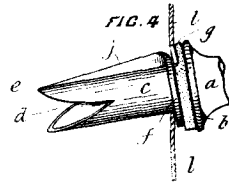
Name.	Address.	Class.	Application.		Gazette.	
			No.	Date.	No.	Date.
Imperial Tobacco Company (of Great Britain and Ireland), Limited, The	Bristol, Eng.	50	4478	14 Dec.	2	7 Jan., 1904.
Imperial Tobacco Company (of Great Britain and Ireland), Limited, The	Bristol, Eng.	50	4479	14 Dec.	2	7 Jan., 1904.
International Supply Company, The. (See T. Wilson and J. W. Perry.)						
Irvine, W. H.	Dunedin, N.Z.	42	4459	27 Nov.	94	10 Dec.
Jessep and Elmsley	Temuka, N.Z.	22	4456	7 Dec.	2	7 Jan., 1904.
Kenderdine, A. G.	Auckland, N.Z.	2	4402	3 Oct.	81	15 Oct.
Kenderdine and Kirkup	Auckland, N.Z.	47	4443	12 Nov.
Kenderdine and Kirkup	Auckland, N.Z.	50	4444	12 Nov.	91	26 Nov.
Laing, W. D.	Dunedin, N.Z.	3	4410	8 Oct.	81	15 Oct.
Leonard, F. H.	Auckland, N.Z.	2	4419	15 Oct.	84	29 Oct.
Lever Bros., Limited	Sydney, N.S.W.	48	4491	23 Dec.	2	7 Jan., 1904.
Lewis, A. M.	Wellington, N.Z.	18	4408	7 Oct.	81	15 Oct.
Lineal Company, Limited, The	London, Eng.	3	4469	7 Dec.	94	10 Dec.
Lysaght, Limited, J.	Bristol, Eng.	5	4477	11 Dec.	2	7 Jan., 1904.
Mackerras and Hazlett	Dunedin and Invercargill, N.Z.	42	4489	23 Dec.	2	7 Jan., 1904.
McLoughlin, J.	Cromwell, N.Z.	44	4483	12 Dec.
McNeill Bros.	Wanganui, N.Z.	42	4450	16 Nov.	2	7 Jan., 1904.
Meadows, F. N. R.	Wellington, N.Z.	42	4485	18 Dec.	2	7 Jan., 1904.
Me'da Proprietary, The	Wellington, N.Z.	3	4434	3 Nov.	87	12 Nov.
Millington, M.	Greymouth, N.Z.	3	4440	5 Nov.	91	26 Nov.
Morgan Crucible Company, Limited, The	London, Eng.	16	4404	6 Oct.	81	15 Oct.
Muir, R.	Auckland, N.Z.	3	4466	5 Dec.	94	10 Dec.
New Zealand Dairy Association, Limited, The	Auckland, N.Z.	42	4421	15 Oct.	87	12 Nov.
Nicolay and Co.	London, Eng., and Zurich, Switzerland	3	4464	2 Dec.
Palmer and Co., Limited	London, Eng.	47	4405	7 Oct.	81	15 Oct.
Papier Poudré, Limited. (See A. S. Butler.)						
Patterson, J. R.	Wellington, N.Z.	42	4425	19 Oct.	84	29 Oct.
Peacock, W. W. M.	Swannanoa, N.Z.	42	4431	26 Oct.	87	12 Nov.
Perry, J. W., and another	Christchurch, N.Z.	42	4424	9 Oct.	84	29 Oct.
Preservaline Manufacturing Company, The	New York, U.S.A.	42	4397	1 Oct.
Preservaline Manufacturing Company, The	New York, U.S.A.	42	4398	1 Oct.
Raines and Co., Limited	Stockton-on-Tees, Eng.	50	4471	9 Dec.	2	7 Jan., 1904.
Ratray and Son, J.	Dunedin, N.Z.	42	4413	9 Oct.	87	12 Nov.
Reddaway and Co., Limited, F.	Manchester, Eng.	50	4433	28 Oct.	87	12 Nov.
Reece and Sons, E.	Christchurch, N.Z.	47	4461	2 Dec.
Sargood, Son, and Ewen	Wellington, N.Z.	38	4399	2 Oct.	84	29 Oct.
Sargood, Son, and Ewen	Wellington, N.Z.	38	4400	2 Oct.
Sargood, Son, and Ewen	Wellington, N.Z.	38	4401	2 Oct.	81	15 Oct.
Sears, E.	Nelson, N.Z.	22	4418	15 Oct.	87	12 Nov.
Smith and Smith	Dunedin, N.Z.	1	4447	15 Nov.
Smith and Smith	Dunedin, N.Z.	1	4448	15 Nov.	94	10 Dec.
Société Anonyme de la Distillerie de la Liqueur Bénédicte de l'Abbaye de Fécamp	Fécamp, France	43	4435	29 Oct.	2	7 Jan., 1904.
Société Anonyme de la Distillerie de la Liqueur Bénédicte de l'Abbaye de Fécamp	Fécamp, France	43	4436	29 Oct.	2	7 Jan., 1904.
Spalding and Bros., A. G.	New York, U.S.A.	49	4496	30 Dec.	10	4 Feb., 1904.
Taylor, J.	Dunedin, N.Z.	38	4428	22 Oct.	84	29 Oct.
Turnbull and Co., W. and G.	Wellington, N.Z.	42	3938	16 Sept., 1902	94	10 Dec.
Turnbull and Co., W. and G.	Wellington, N.Z.	42	4442	12 Nov.	94	10 Dec.
Van Westrum, L. S.	Berlin, Germany	50	4472	9 Dec.	2	7 Jan., 1904.
Vining, W. G.	Nelson, N.Z.	22	4453	24 Nov.	94	10 Dec.
Waldberg and Co., Gesellschaft mit Beschraenkter Haftung	Berlin, Germany	8	4175	24 April	2	7 Jan., 1904.
Welsbach Light Company of Australasia, Limited, The	London, Eng.	18	4420	15 Oct.	84	29 Oct.
Westrum. (See Van Westrum.)						
Wheeler, C. L.	Christchurch, N.Z.	42	4470	8 Dec.	2	7 Jan., 1904.
White, Tomkins, and Courage, Limited	London, Eng.	42	4451	20 Nov.
Wight, R. B.	Auckland, N.Z.	43	4458	27 Nov.	94	10 Dec.
Wilkinson, F.	Caversham, N.Z.	3	4460	1 Dec.	2	7 Jan., 1904.
Wilkinson, R.	Auckland, N.Z.	13	4454	24 Nov.	94	10 Dec.
Williamson, H. B.	Wanganui, N.Z.	3	4409	8 Oct.
Wilson, T., and another	Christchurch, N.Z.	42	4424	9 Oct.	84	29 Oct.
Wooding and Teasdale	Leicester, Eng.	38	4492	29 Dec.	6	21 Jan., 1904.
Wostenholm and Son, Limited, G.	Sheffield, Eng.	12	4455	24 Nov.	94	10 Dec.

ILLUSTRATIONS OF INVENTIONS.

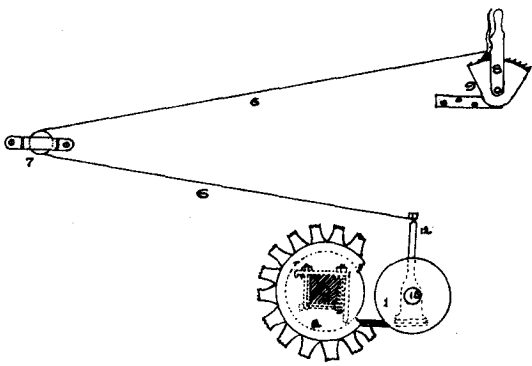
[These illustrations refer to the complete specifications accepted, and advertised in this *Gazette*.]



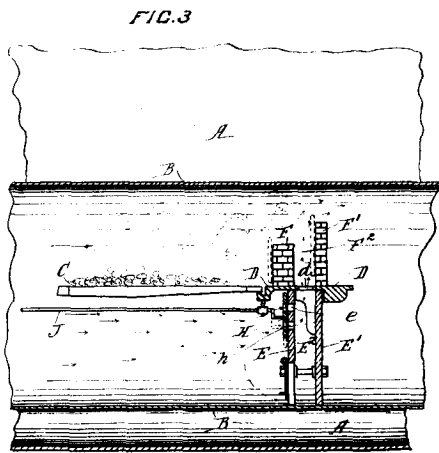
16464
Bursill. Fencing-standard.



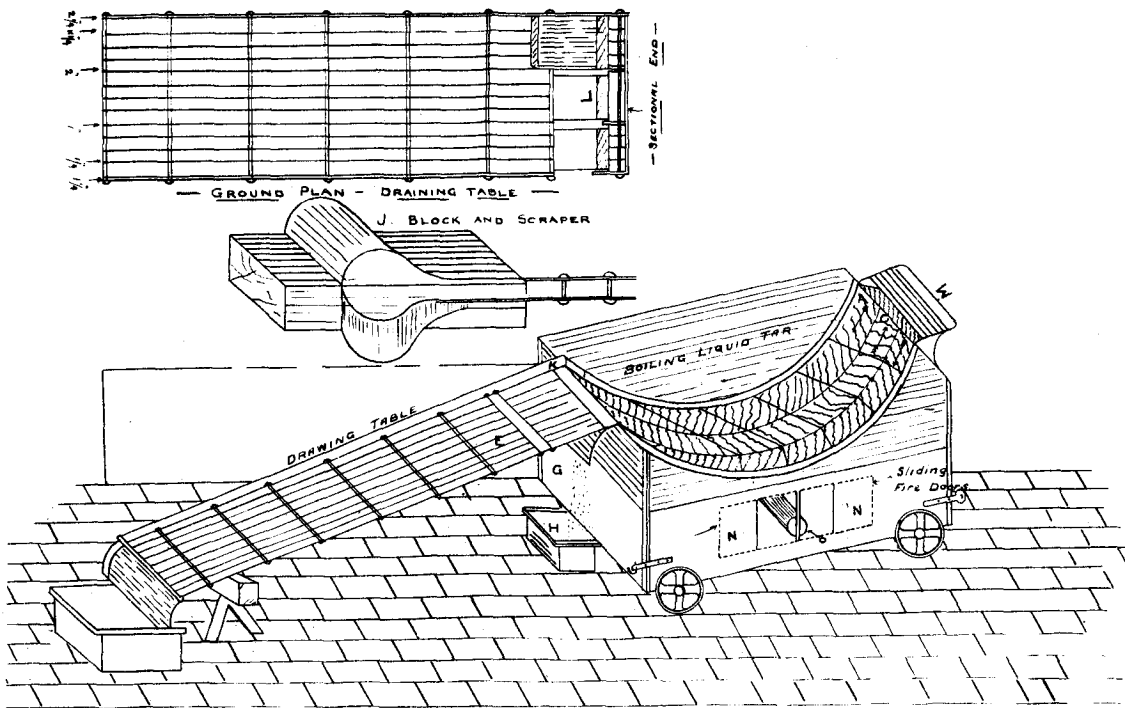
16288
Watts. Draw-off Tap.



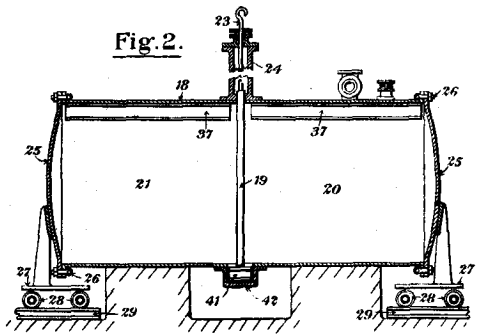
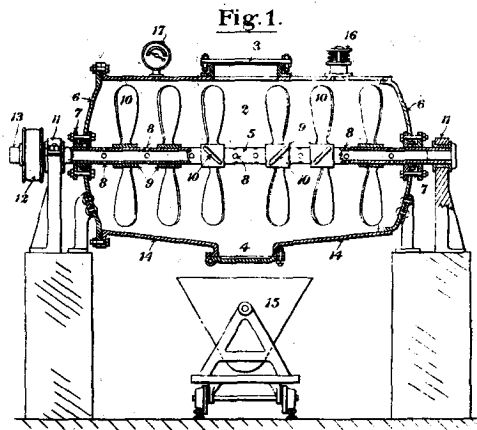
15947
Betts and Pirrit. Means to prevent Horse bolting.



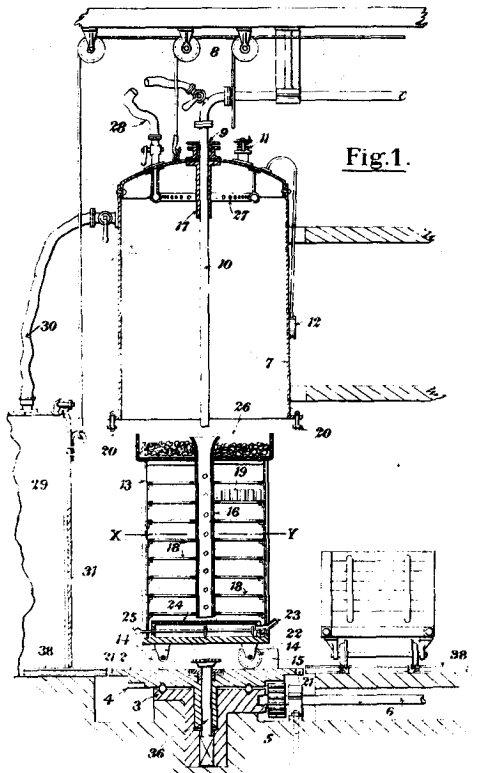
16116
Leighton. Furnace. (Sanders.)



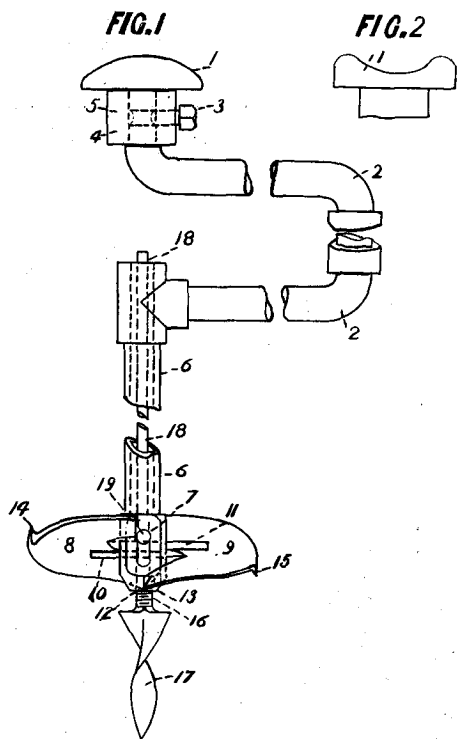
15983
Newson and Coulson. Block-tarring Apparatus.



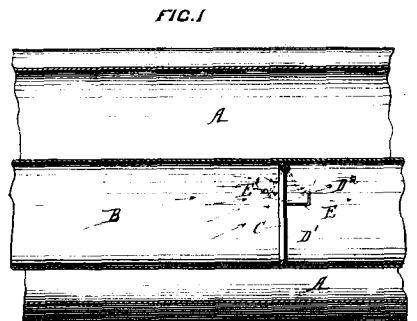
16074
Eaton. Brick-manufacturing Apparatus.



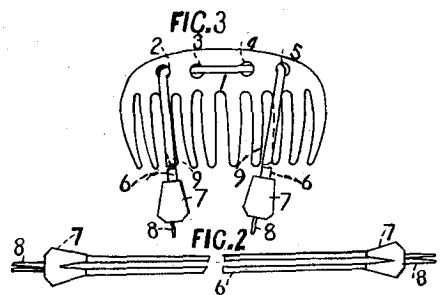
16075
Eaton. Brick-manufacturing Apparatus.



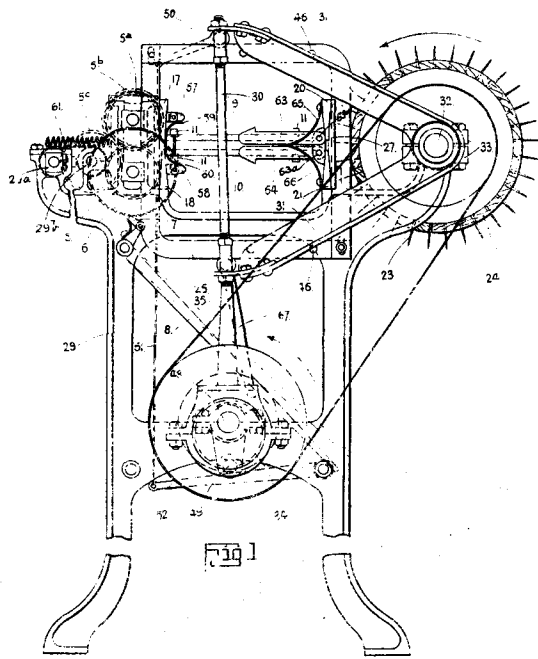
16188
Stevenson. Earth-auger.



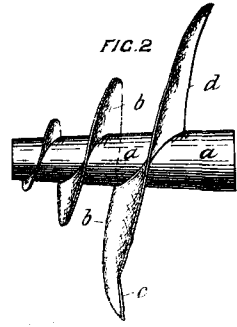
16117
Leighton. Smoke-consumer, &c. (Sanders.)



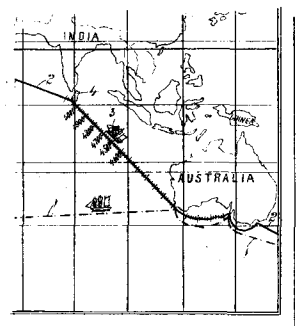
16236
Pomeroy. Hat-fastener.



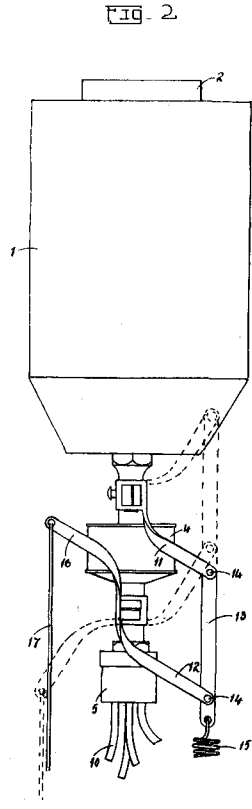
16257
Wilkinson. Fibre-separating Apparatus.



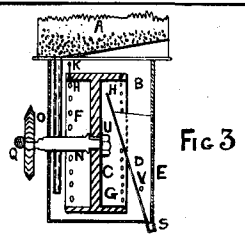
16278
Dixon. Screw Propeller.



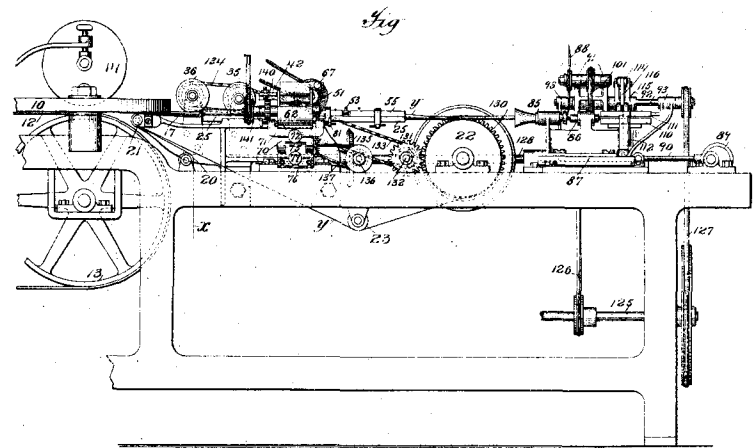
17466
Scott. Game.



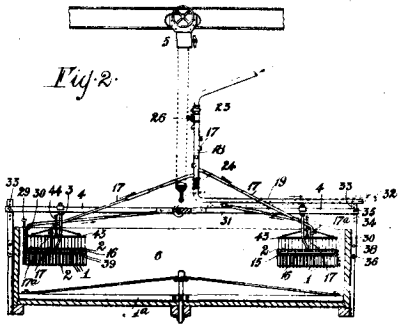
16290
O'Neil. Windmill-lubricator.



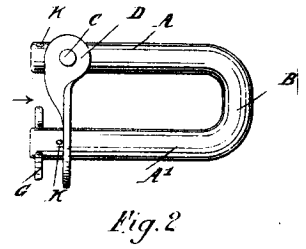
16297
Lowe. Seed-sower.



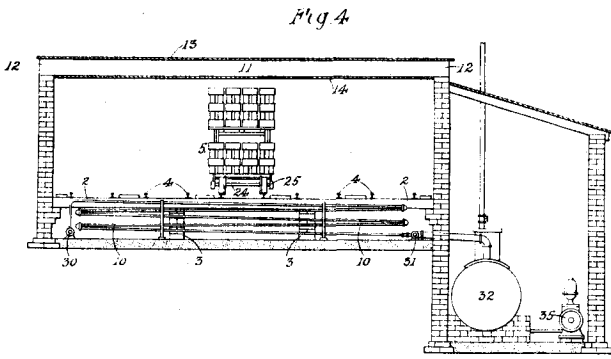
17069
Hughes. Cigarette-machine.
(British-American Tobacco Company, Limited
—Lawles, Campbell, and Allison.)



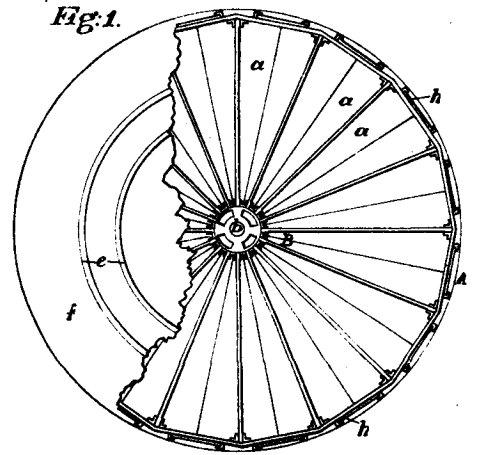
17158
Duncan. Slime-filtering Apparatus.



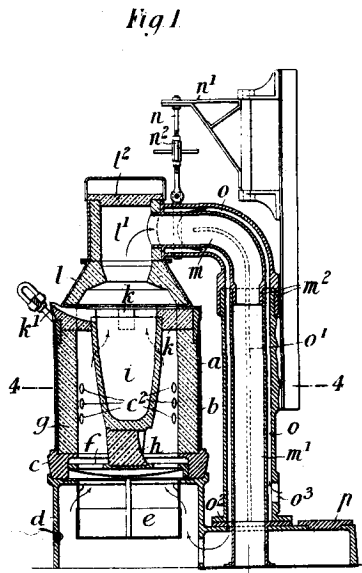
17490
Bawden and Catterall. Coupling-pin.



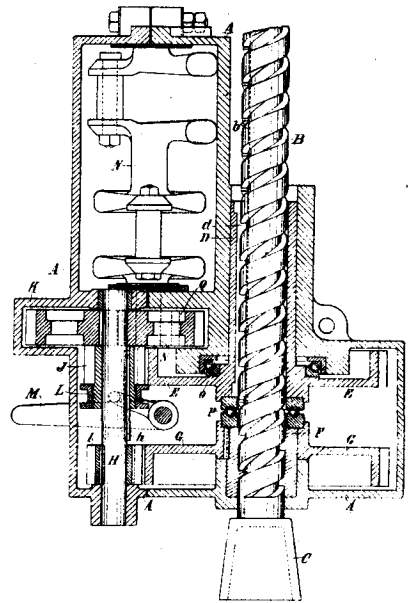
17482
Selby. Apparatus for drying Bricks, &c.



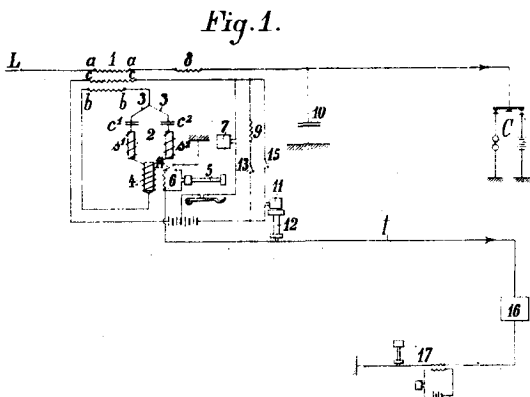
17483
Eaton. Brick-manufacturing Apparatus.



17486
The Morgan Crucible Company, Limited.
Crucible Furnace. (Speirs.)



17497
Blackett. Boring-machine.



17499
Turchi. Telephonic and Telegraphic Apparatus.